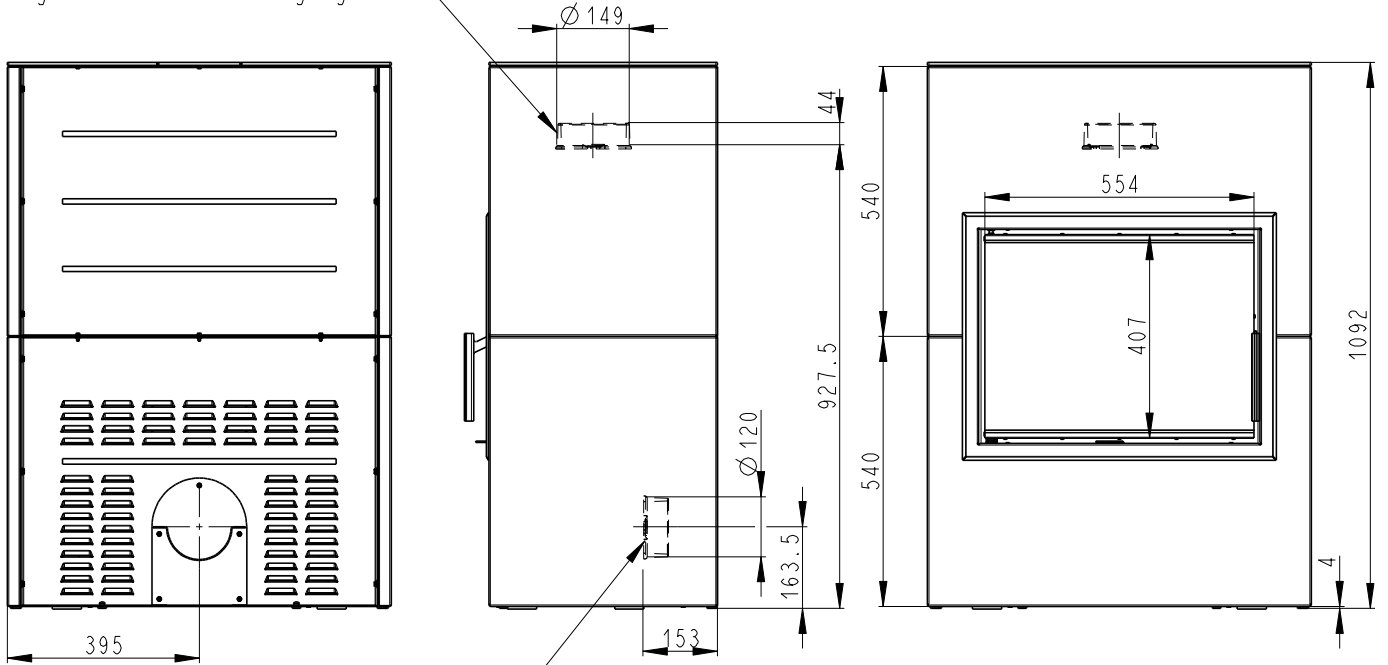
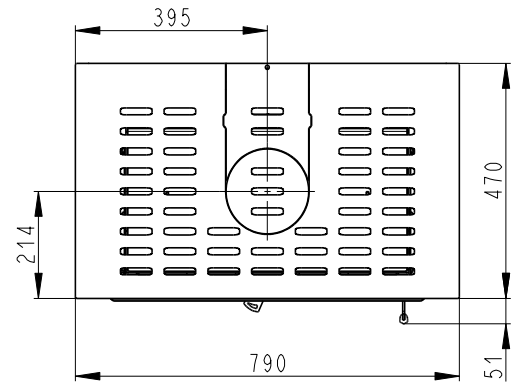
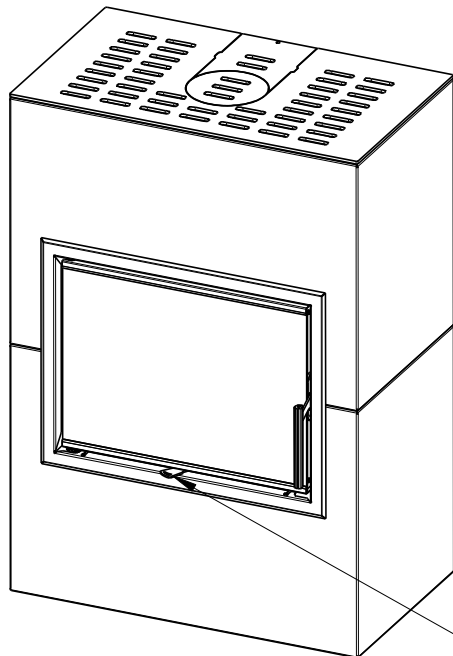


VARIANT F 03

Litínový odvod kouře - Cast iron spigot - Der gusseiserne Rauchabgang



Centralni prived vzduchu - Central air inlet - Zentralluftzufuhr



Primarni a sekundarni vzduch - Primärluft und Sekundärluft - Primary and secondary air

Artikl	VARIANT F 03
--------	--------------

General data

Nominal heat output	kW	4,7
Efficiency	%	83,64
Mass of the test fuel fired hourly	kg/h	1,39
Dry flue gases mass flow	g/s	3,7
Mean flue gas temperature	°C	275
Flue draught	Pa	10
Weight	kg	182
CO ₂	%	10,60
Dust O ₂ =13%	mg/m ³	18
CO O ₂ =13%	mg/m ³	1000

Recommended values

Reg.output	kW	2,4 - 6,4
Max. mass of the test fuel fired hourly	kg/h	3,0
Flue gas connector diameter	mm	150

Meets requirement limit values for

EN 13 240	•
BImSch V 1	•
BImSch V 2	•
DIN plus	•
15a B-VG	•

Supplied accessories

Holder with magnet	•
Ashtray	•