

PELLET STOVE

BLADE



CONTENTS

Safety information	4
Technical data	5
Dimensions	6
Unpacking	9
Fumes discharge and air duct configurations	10
Wall mounting	11
Orientation of the air duct	12
Installing the cladding	13
Installation	25
Instructions for use	29
Maintenance	39
Troubleshooting	42

EDILKAMIN S.p.A., with registered offices in Via Vincenzo Monti 47 - 20123 Milan - tax code and VAT number 00192220192

Declares, under its sole responsibility, that:
The pellet stove mentioned below is conforming with EU Regulation 305/2011 and harmonised EU standard EN 14785:2006

PELLET STOVE, tradename EDILKAMIN, model BLADE

SERIAL NUMBER: Nameplate reference
Performance declaration: (DoP - EK n° 139):
Nameplate reference

And also declares that:
the BLADE wood pellet stove satisfies the requirements of the following European directives:
2014/35/UE - Low Voltage Directive
2014/30/UE - Electromagnetic Compatibility Directive

Dear Sir/Madam

Congratulations on choosing our product. Before you use it, please read this manual carefully, to get the best from your new appliance in total safety.

This manual is an integral part of the product. Please keep it for the entire life of the product.

If you lose it, you can request a copy or download it from www.edilkamin.com

After unpacking the product, check the condition and completeness of the contents.

In the event of error, immediately contact the retailer where the purchase was made, providing him with a copy of the warranty booklet and the sales receipt.

The appliance must be installed and operated in compliance with local and national law and European regulations. For the installation, and for anything not specifically indicated in the manual, observe local regulations.

The diagrams in this manual are illustrative; they do not always refer specifically to your product and are not binding in any way.

The product is uniquely identified by a number, the "counterfoil", which is indicated on the warranty certificate inside the product.

Please keep:

- the warranty certificate accompanying the product
- the purchase receipt given to you by the retailer
- the declaration of conformity given to you by the installer.

The warranty conditions are given in the warranty certificate accompanying the product.

In Italy, commissioning by an authorised technician is required by UNI 10683, and is recommended in all countries to ensure best results from the product.

This consists in:

- checking the installation documents (declaration of conformity) and the quality of the installation itself;
- calibrating the product to suit its actual application
- explanation to the end user and issue of complementary documentation (commissioning certificate)

Having the appliance commissioned properly ensures that it will operate to best effect and in complete safety.

Proper commissioning is required for activation of the Edilkamin warranty. The warranty is only valid in the country of sale of the product.

If the appliance is not commissioned by an authorised technician, Edilkamin will not provide warranty service. See the warranty booklet for details. The above terms do not affect the reseller's legal responsibility for the legal warranty.

The warranty covers only demonstrable manufacturing defects and not, for instance, problems resulting from improper installation or calibration.

MEANING OF SYMBOLS

In some parts of the manual the following symbols are used:



PLEASE NOTE:

carefully read and understand the message in question, since failure to follow the instructions in it could cause serious damage to the product and put the safety of those using it at risk.



INFORMATION:

failure to comply with these requirements will compromise product use.



OPERATING SEQUENCE:

follow the instructions for the operations described

- The appliance is not designed for use by people, including children, with limited physical, sensory and mental capacities.
- The appliance is not intended to be used for cooking.
- The appliance is designed to burn UNI EN ISO 17225-2 category A1 wood pellets, in the amounts and manner described in this manual.
- The appliance is designed for use indoors, in normal conditions of ambient humidity.
- Keep the product in a dry place out of the weather.
- For the legal and company warranties, refer to the warranty certificate inside the product: neither Edilkamin nor the reseller are liable for damage resulting from incorrect installation or maintenance.
- storing flammable materials within the safety clearance indicated in this manual. **DO NOT PLACE LAUNDRY ON THE PRODUCT. DO NOT PLACE DRYING RACKS WITHIN THE SAFETY CLEARANCE.** Keep flammable fluids away from the product. Fire hazard.
- blocking the aeration vents and air intakes in the room. **DO NOT BLOCK THE AERATION VENTS OR FLUE.** Risk of smoke returning into the room with consequent damage and injury.
- use of the product as a support or ladder. **DO NOT CLIMB ONTO THE PRODUCT OR USE IT AS A SUPPORT.** Risk of damage and injury.
- use of the stove with the hearth open. **DO NOT USE THE PRODUCT WITH ITS DOOR OPEN.**
- incandescent material projected from the open door. **DO NOT** throw incandescent material outside the appliance. Fire hazard.
- use of water in case of fire. **CALL THE AUTHORITIES IF A FIRE BREAKS OUT.**

Safety risks may be caused by:

- installation in unsuitable conditions. In particular, conditions of fire hazard. **DO NOT INSTALL THE PRODUCT IN AREAS SUBJECT TO THE RISK OF FIRE.**
- contact with fire and hot parts (e.g. glass panel and pipes). **DO NOT TOUCH THE STOVE'S HOT PARTS;** always wear the provided gloves when working with the stove, even if switched off, when it is still hot. Failure to do so can result in burns.
- contact with live electrical equipment (internal). **DO NOT ACCESS THE INTERNAL ELECTRICAL EQUIPMENT WHILE THE APPLIANCE IS POWERED ON.** Electrocutation hazard.
- use of improper ignition aids (e.g. alcohol). **DO NOT IGNITE OR BOOST THE FLAME WITH FLUID SPRAYS OR A FLAME TORCH.**
- use of fuel other than wood pellets. **DO NOT BURN WASTE MATTER, PLASTIC OR OTHER MATERIALS THAN WOOD PELLETS IN THE HEARTH.** The product may be soiled, the flue may catch fire, and environmental damage may ensue.
- cleaning the hearth when hot. **DO NOT CLEAN THE HEARTH WITH A VACUUM CLEANER WHILE IT IS HOT.** Risk of damage to the cleaner and smoke in the room.
- cleaning the fumes duct with cleaning products. **DO NOT CLEAN THE PRODUCT WITH FLAMMABLE PRODUCTS.** Risk of fire and blowback.
- cleaning the hot glass pane with unsuitable cleaning products. **DO NOT CLEAN THE GLASS WHILE IT IS HOT WITH WATER OR ANY OTHER PRODUCT THAN THE RECOMMENDED GLASS CLEANING PRODUCTS.** Risk of cracking and irreparable damage to the glass.

Please use all normal precautions for a household heating appliance.

If you have doubts, please do not take any action, but contact the retailer or the installer.

For reasons of safety, read the user instructions included in this manual.

TECHNICAL CHARACTERISTICS per EN 14785			
	Nominal power	Reduced power	
Available power	12,1	3,5	kW
Efficiency	90,3	93,7	%
CO emissions at 13% O ₂	0,004	0,032	%
Fumes temperature	164	82	°C
Fuel consumption *	2,8	0,8	kg/h
Tank capacity	22		kg
Draw	12	10	Pa
Autonomy	8	28	ore
Heatable volume **	315		m ³
Fumes outlet diameter (female above)	80		mm
Air intake diameter (male)	40		mm
Hot air channel diameter	60		mm
Weight including packaging (steel - ceramic - potstone)	185 - 215 - 220		kg

* A calorific value of 4,8 kW/Kg has been used to calculate consumption

** The heatable volume is calculated based on the assumption of a heating demand of 33 Kcal/m³ hour.

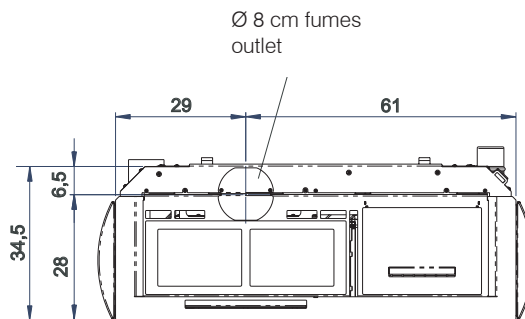
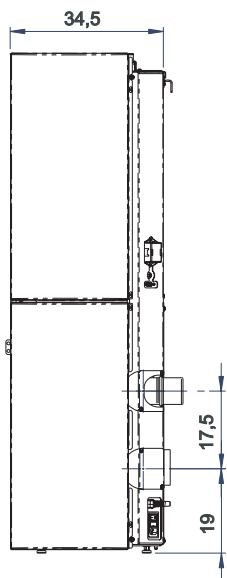
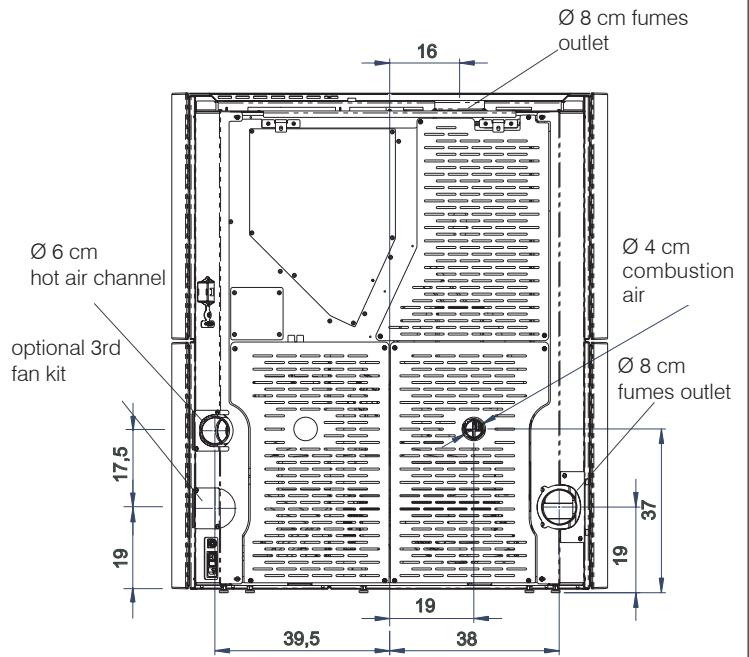
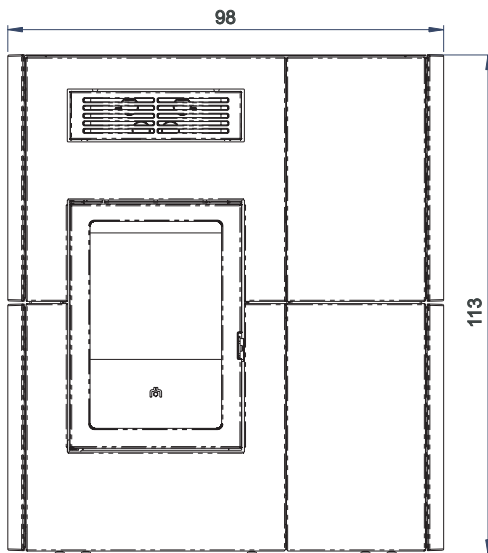
TECHNICAL DATA FOR SIZING THE FLUE			
which must in any case satisfy the requirements of this sheet and the installation instructions for the product			
	Nominal power	Reduced power	
Fumes temperature at outle	197	99	°C
Minimum draw	0,01		Pa
Fumes flow rate	7,3	3,2	g/s

ELECTRICAL SPECIFICATIONS	
Power	230 Vac +/- 10% 50 Hz
Mean absorbed power	50 - 80 W
Power absorption during ignition	300 W
Remote control frequency (provided)	2,4 GHz
Logic board protection	Fuse 4 AT, 250 Vac 5x20

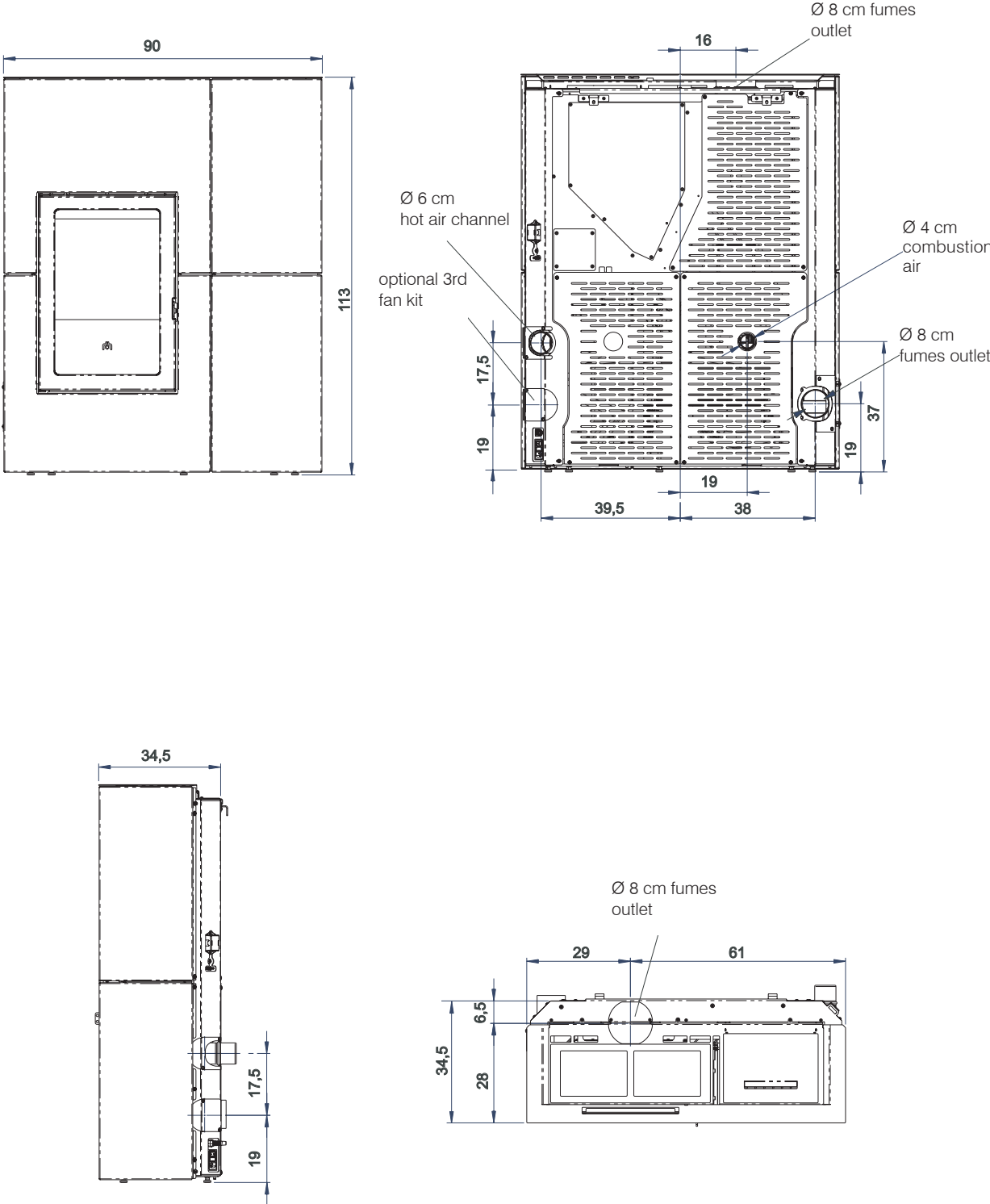
The above data are illustrative and are drawn from the certification by a notified body.

EDILKAMIN s.p.a. reserves the right to modify the product without notification in the interests of improvement.

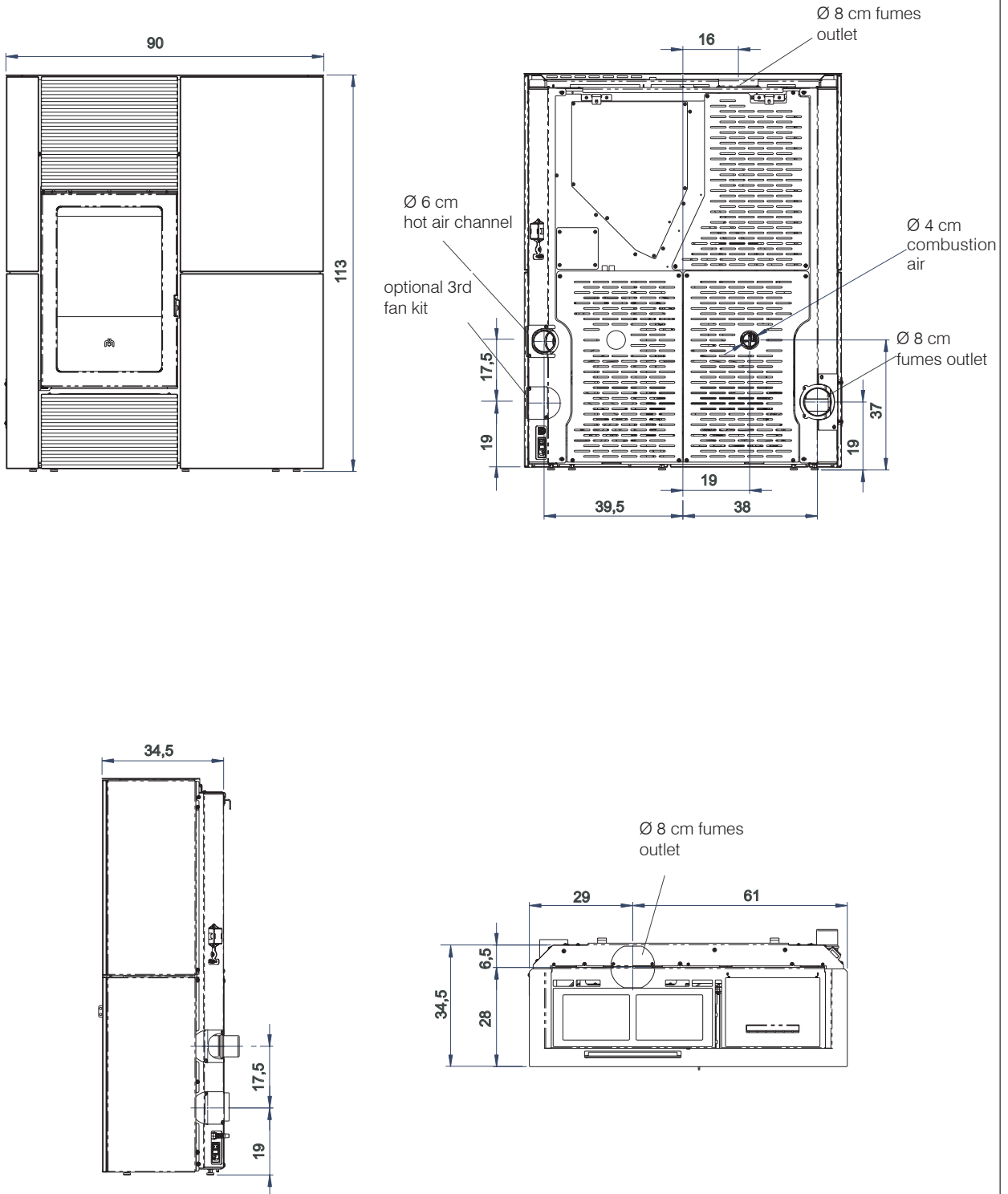
BLADE CERAMIC (cm)



BLADE STEEL (cm)



BLADE SOAPSTONE (cm)



PREPARATION AND UNPACKING

The packaging materials are neither toxic nor noxious and do not require special disposal.

The user is responsible for storing, disposing or and recycling them in a regulatory fashion.

Edilkamin offers Blade in three versions:

SOAPSTONE BLADE

CERAMIC BLADE

STEEL BLADE

PACKAGING**SOAPSTONE BLADE**

two packages, one (1) with the stove's structure, one (2) with the stones and small parts required for installation

STEEL BLADE

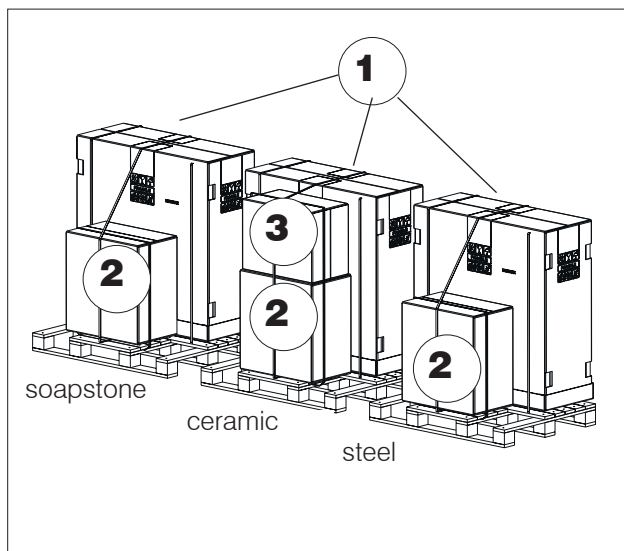
two packages, one (1) with the stove's structure, one (2) with the metal parts and small parts required for installation

CERAMIC BLADE

three packages, one (1) with the stove's structure, one (2) with the metal parts and the small parts required for installation, and one (3) with the ceramic parts or metal mounts

Inside the product you will find: the remote control, warranty certificate, glove, this manual, desiccating salts, power cable, two wall-mounting brackets and two cable glands for mounting optional sensors to the back of the product.

The lever for opening the door is also on the pallet.



Always move the stove vertically with suitable equipment and in observance of safety regulations.

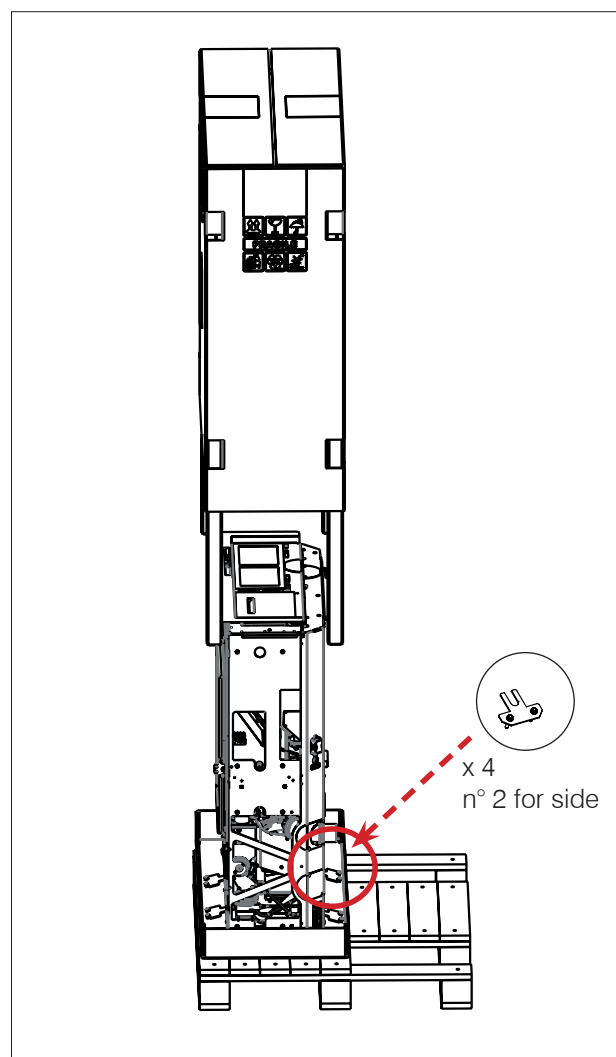
Take care not to tip the product over

Package materials such as plastic and films may be dangerous for children. Suffocation hazard. Keep packages away from children.

TO REMOVE THE PALLET (ALL MODELS)

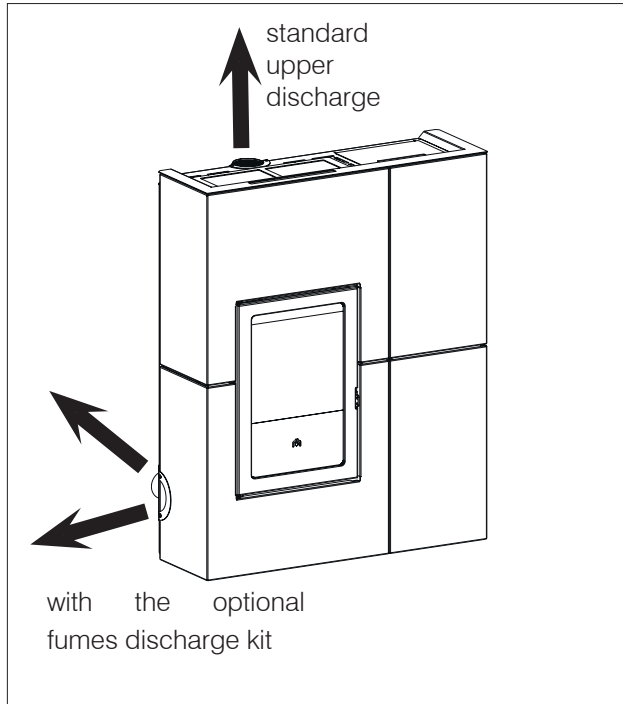
The stove is secured to the pallet with four brackets: two at the front and two at the back.

Undo the two screws on each bracket



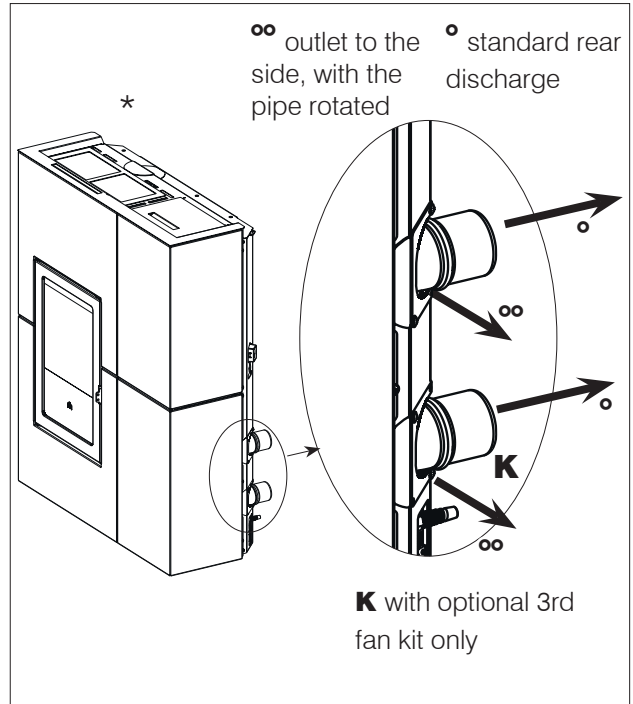
**POSSIBLE CONFIGURATIONS:
FUMES DISCHARGE (Ø 8 cm) AND AIR DUCT (Ø 6 cm)**

**STEEL BLADE AND OILSTONE:
POSSIBLE FUMES DISCHARGE POSITIONS**

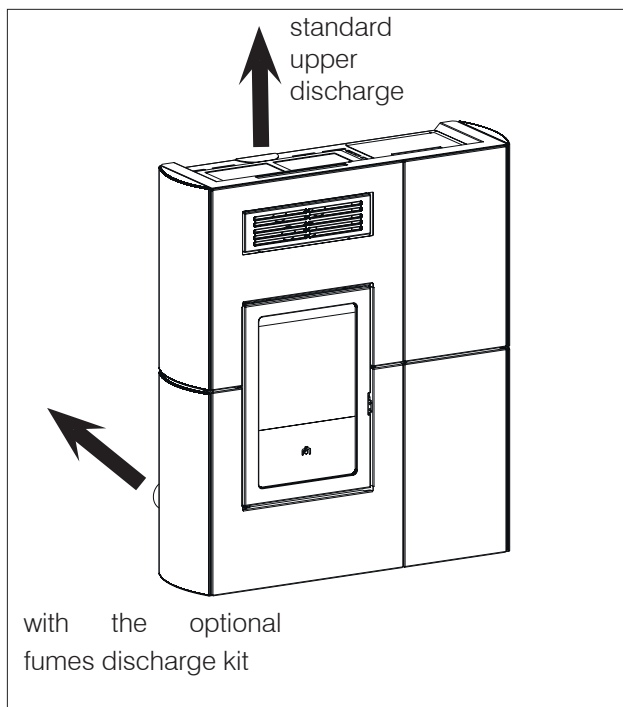


**STEEL BLADE AND OILSTONE:
POSSIBLE AIR DUCT POSITIONS.**

Unducted air exits the stove from the top *

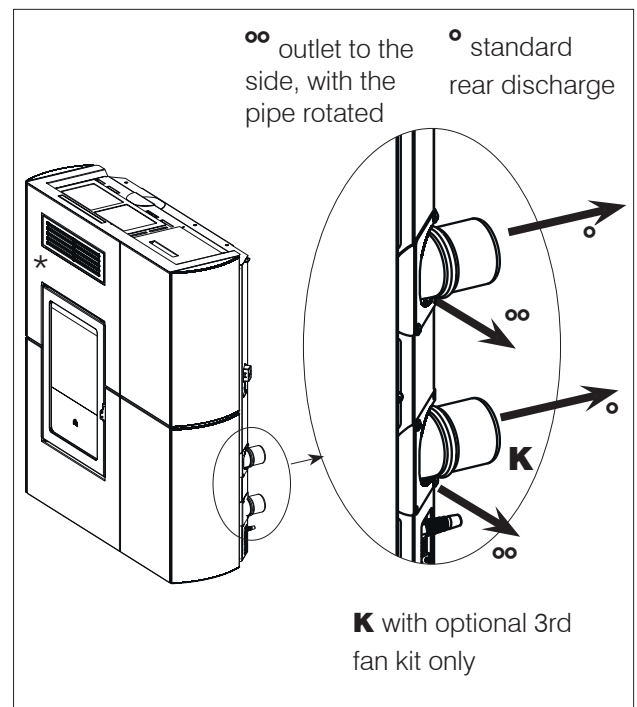


**CERAMIC BLADE:
POSSIBLE FUMES DISCHARGE POSITIONS**



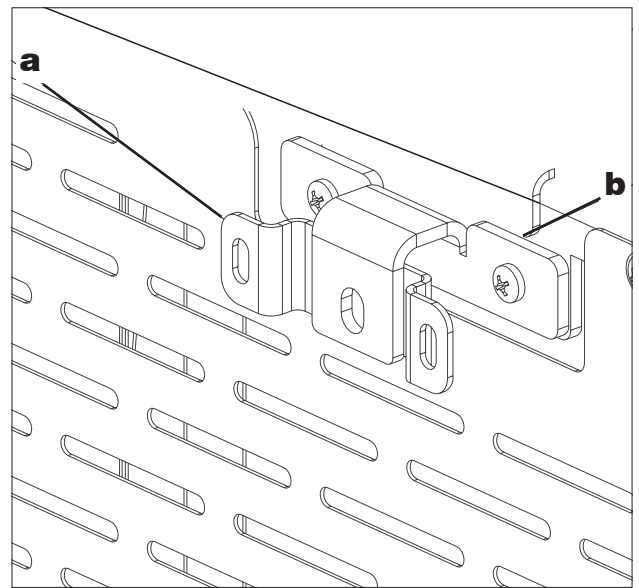
**CERAMIC BLADE:
POSSIBLE AIR DUCT POSITIONS.**

Unducted air exits the stove from the front *



WALL MOUNTING

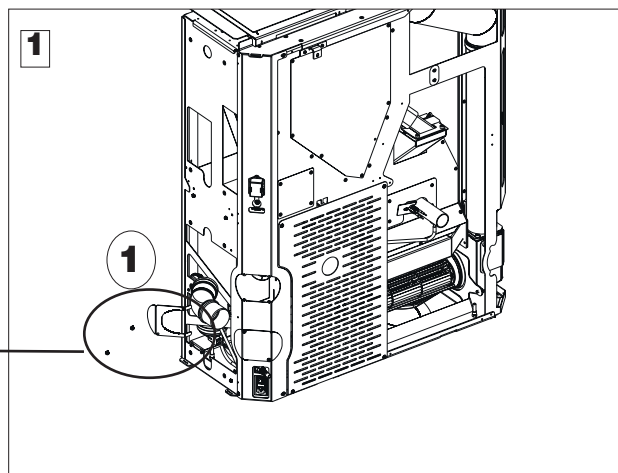
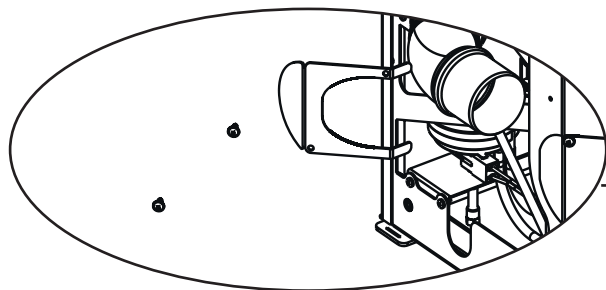
Mount the stove to the wall with the provided plates (a) and the brackets (b) already installed onto the product, or use an alternative mounting which ensures that the product is stable and secure. Fix the plates to the wall with rawl plugs.



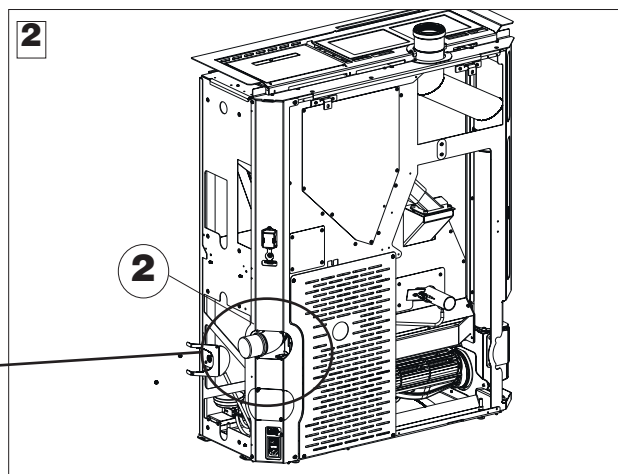
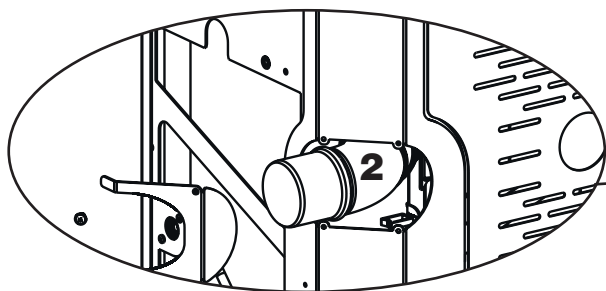
CHANGING THE DIRECTION OF THE HOT AIR DUCT

To change the direction of the ducting from rear to side (summary of operations shown in figures):

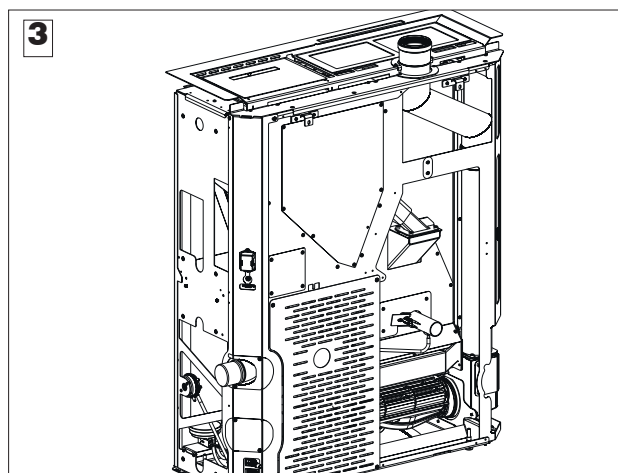
1. remove the rear cover plate (1) (two bolts)



2. remove and refit the white bend (2) dia. 6 cm towards the side (it locates into place)



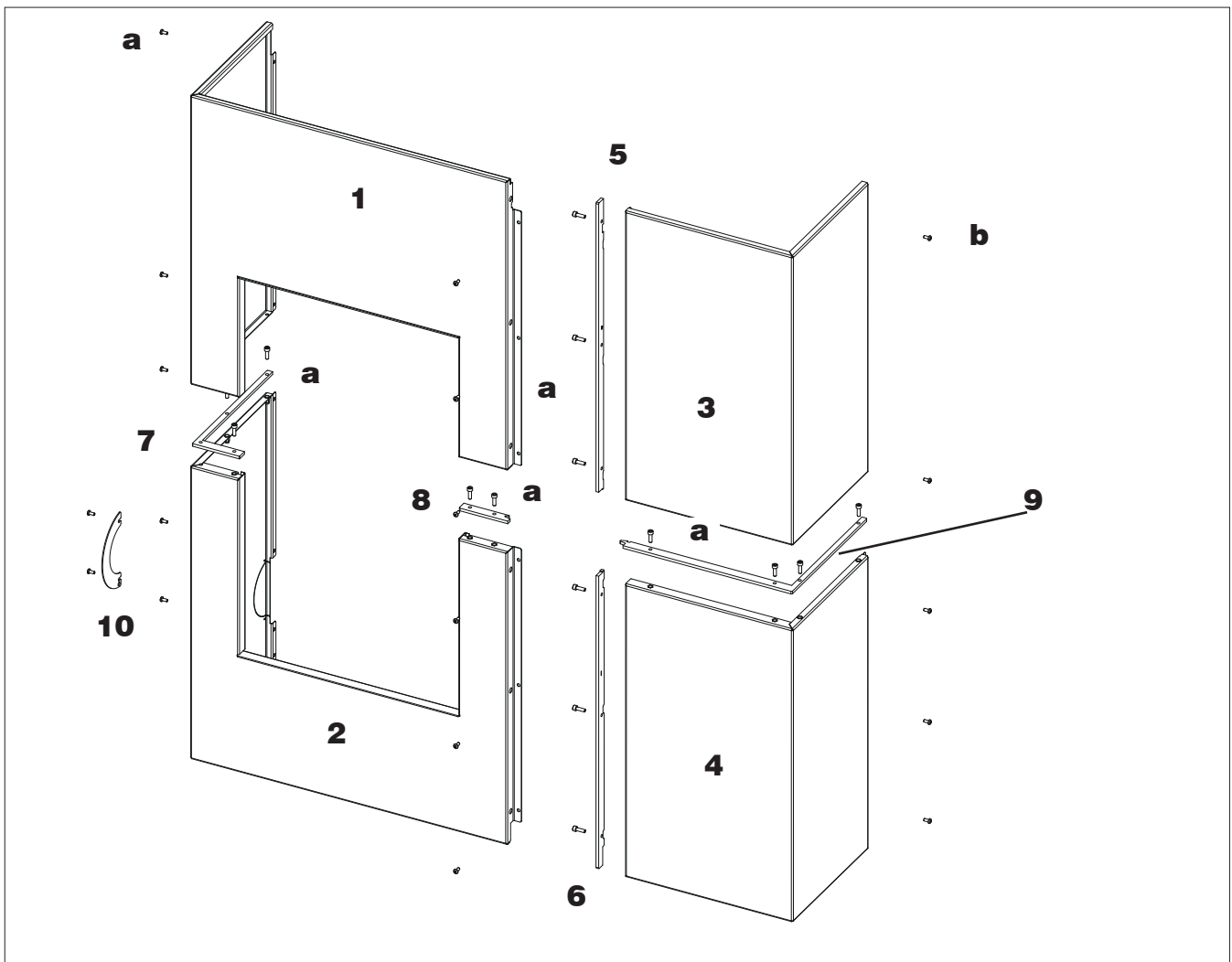
3. reposition the plate in the correct orientation.



Description	Reference in the figures below	Quantity
Top left-hand side	(1)	n°1
Top left-hand side panel with pre-cutting for side fume discharge	(2)	n°1
Upper right side	(3)	n°1
Lower right side	(4)	n°1
Upper central profile	(5)	n°1
Lower central profile	(6)	n°1
Left outline	(7)	n°1
Left front outline	(8)	n°1
Right depth	(9)	n°1
Side smoke outlet rosette	(10)	n°1
Small hardware		
Countersunk hex screw M5x16	(a)	n°15
Self-tapping screw 4,2x9,5	(c)	n°9

“Right” and “left” refer to the product when viewed from the front.

The above-mentioned elements, once they have been mounted, will be positioned (“exploded”) as shown in the figure below. The mounting operations are described in the figures appearing on the following pages.





Levelling feet

The product is equipped with feet that can be adjusted with a screwdriver from inside the product BEFORE mounting the claddings, or by slightly raising the product.

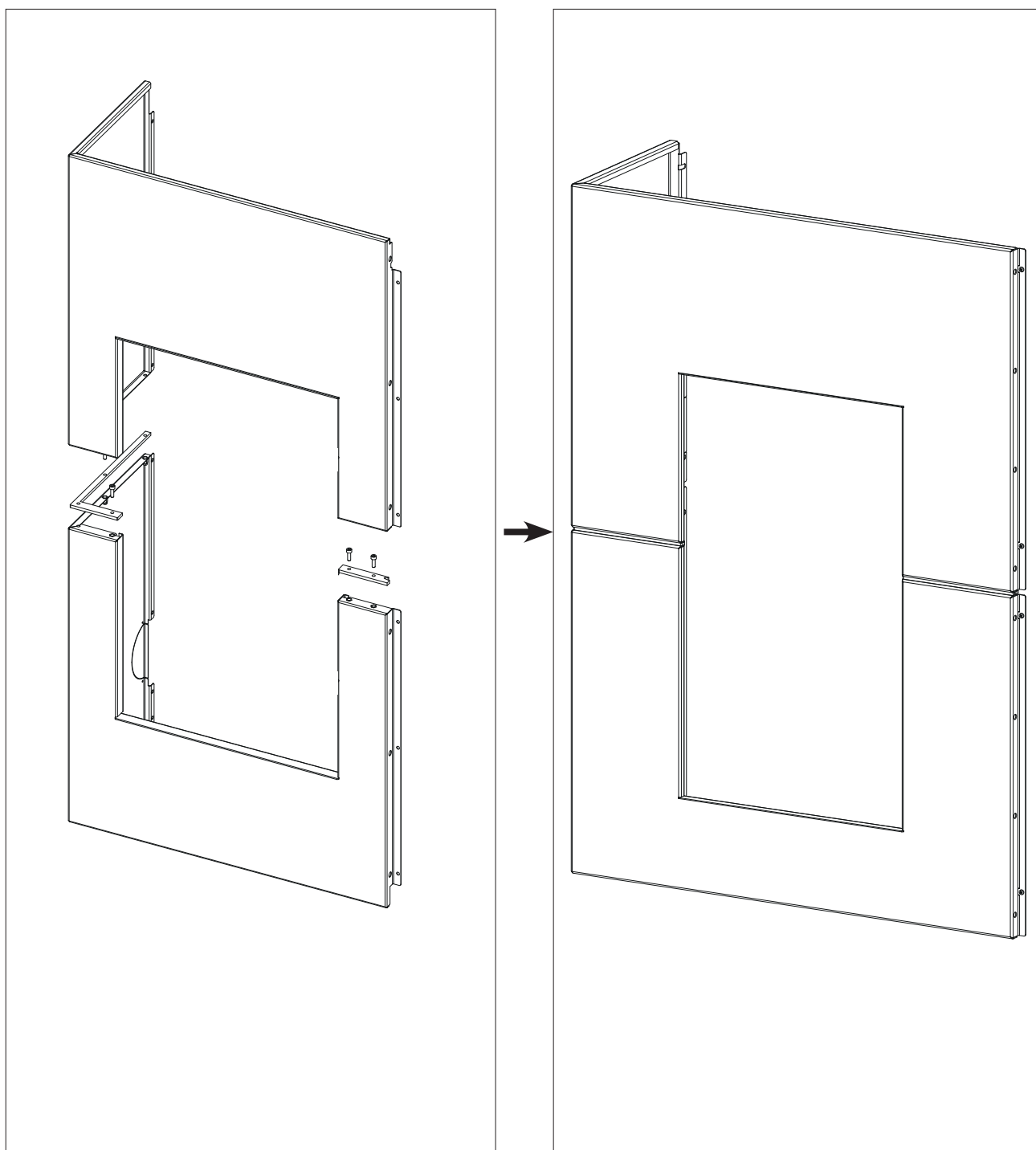


BEFORE INSTALLING THE CLADDING, SECURE THE PRODUCT TO THE WALL WITH THE BRACKETS PROVIDED TO MAKE SURE IT DOES NOT TIP OVER.

Left side fitting (1 and 2)

Screw lower left side, left outline, left front outline, inserting then the upper left side (screws are used to fix the top side panel) for a complete left side assembly.

Use screws (a) and inner hexagonal screw M5x16.

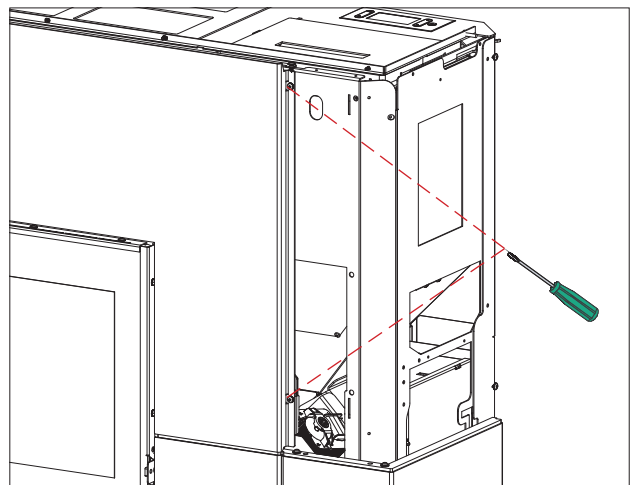
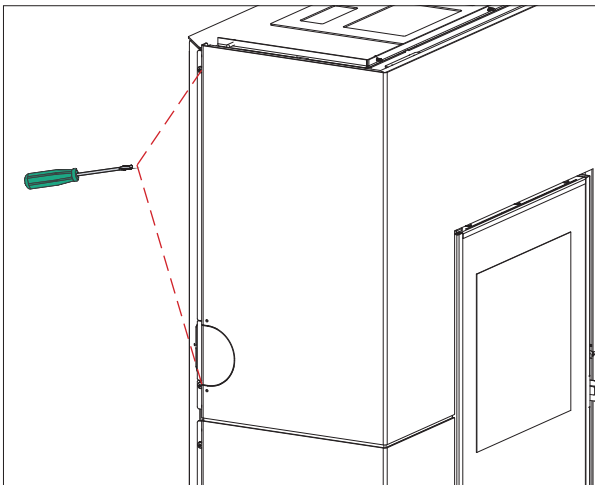


Remove the just laid down top before mounting to ease job if necessary.

Drawings are just a guideline, useful for installing, but not always related to the specific model.

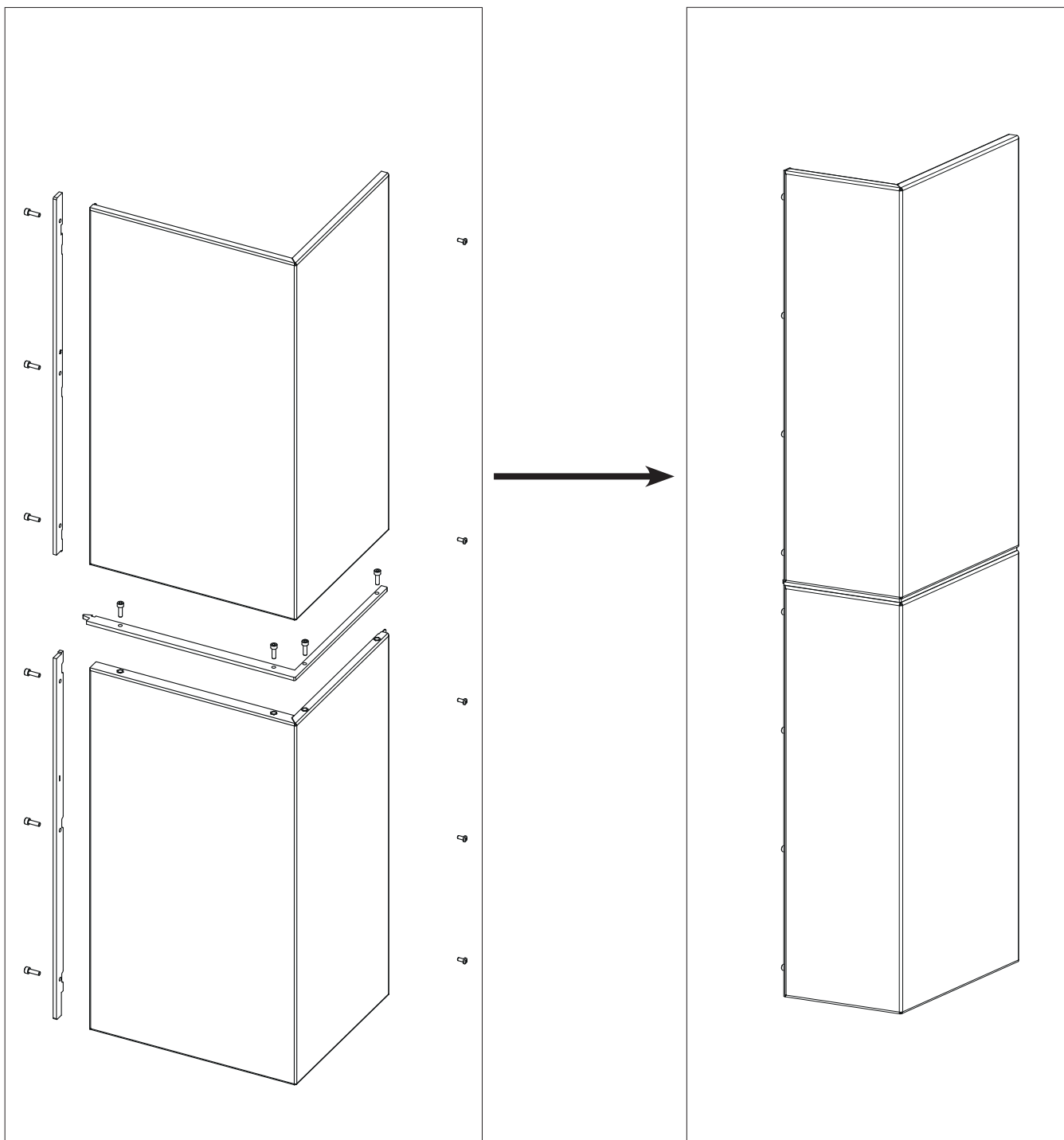
Fitting of the bottom-left side panel

Tight then 3 screws on the left side and 4 screws on the front of the structure.

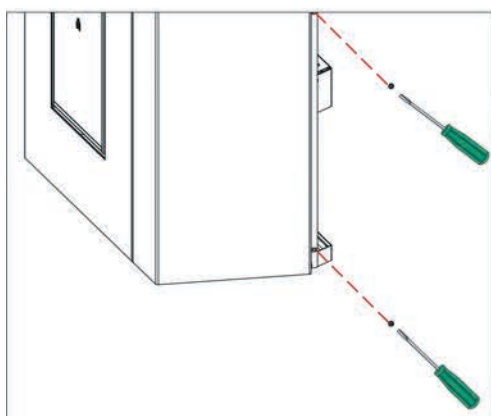
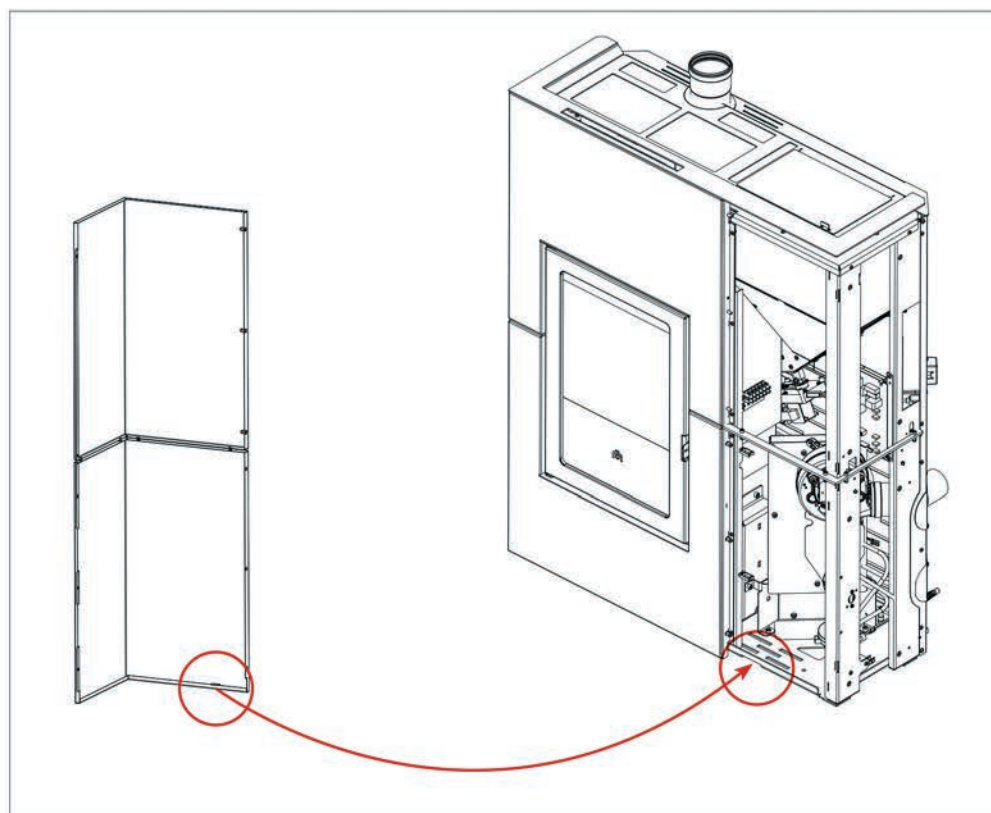


Assembling the right-hand side panel (3 and 4)

Screw on the top right-hand side panel, the external right-hand profile and the right-hand front profile. Slot the top right-hand side panel. Screw on the central spacers until obtaining the complete right-hand side panel.

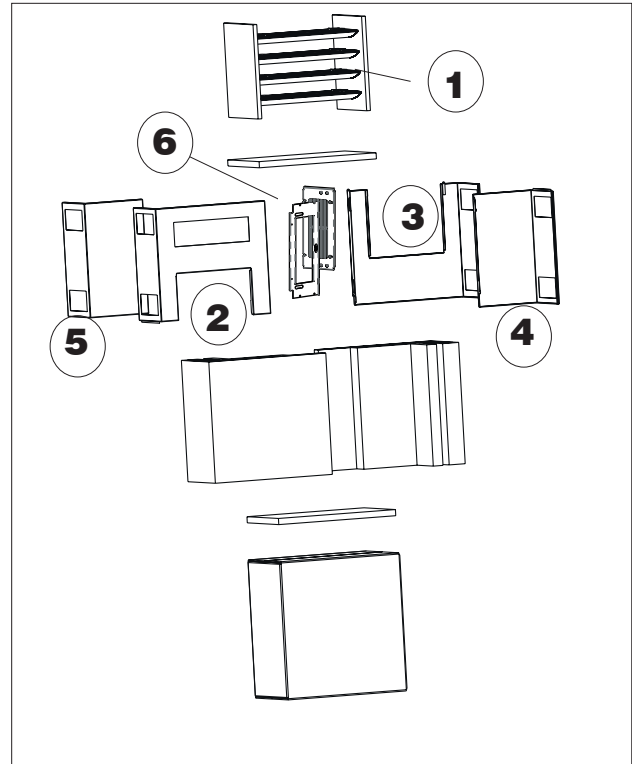


Insert the assembled right-hand side panel.
Fasten it to the top and right-hand sides with a screw.



**CONTENTS OF CLADDING BOX
(CERAMIC BLADE)**

- 4 ceramic parts (1). The orientation of the parts is given by the pre-installed bracket.
- 4 metal parts: (2) (3) (4) (5). The parts are not interchangeable.
- 1 front grille (6) to direct the heating air
- 1 bag of fasteners (8 bolts for the metal ceramic mounting brackets and 12 for the metal elements)
- 4 brackets (mount to the structure with the provided bolts) to secure the ceramic parts
- 4 washers (in case to adjust the top)



Remove the just laid down top before mounting to ease job if necessary.

The assembly operations are described in the diagrams on the following pages, for the achieving the component positions shown in the diagram to the side.



Levelling feet

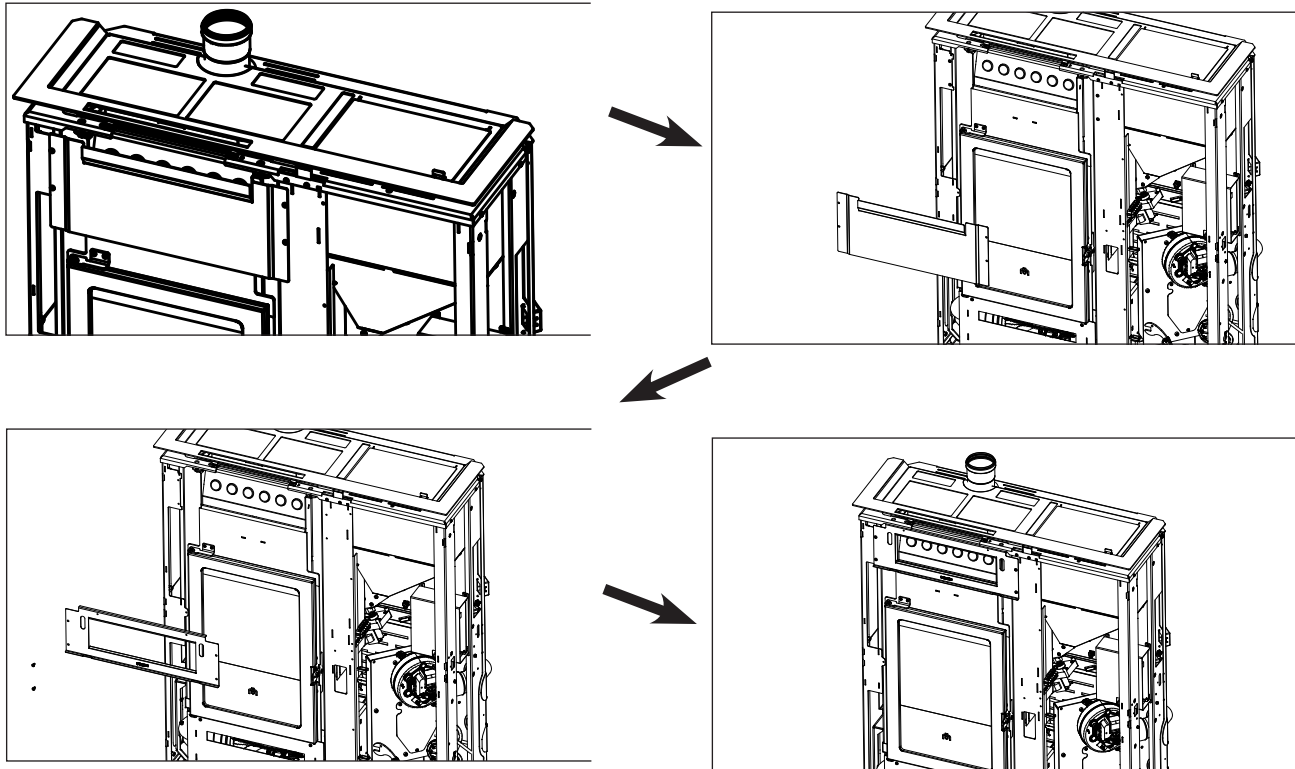
The product has 5 feet which can be adjusted with a screwdriver from inside the appliance BEFORE the cladding is fitted.



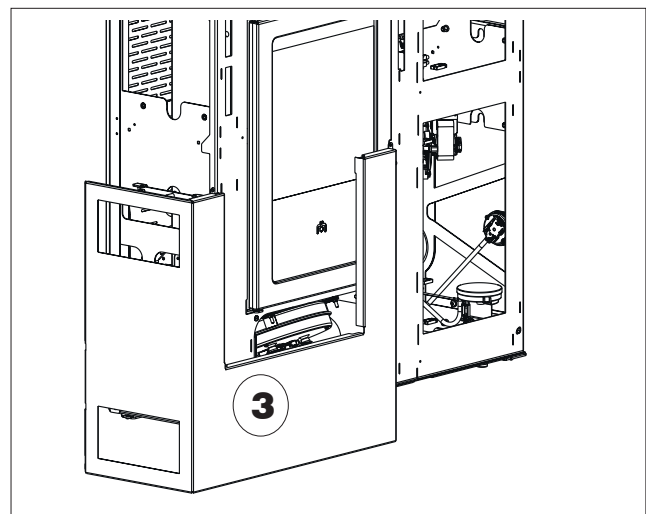
BEFORE INSTALLING THE CLADDING, SECURE IT TO THE WALL WITH THE PROVIDED BRACKETS TO MAKE SURE IT DOES NOT TIP OVER

COATING FITTING SEQUENCE (CERAMIC BLADE)

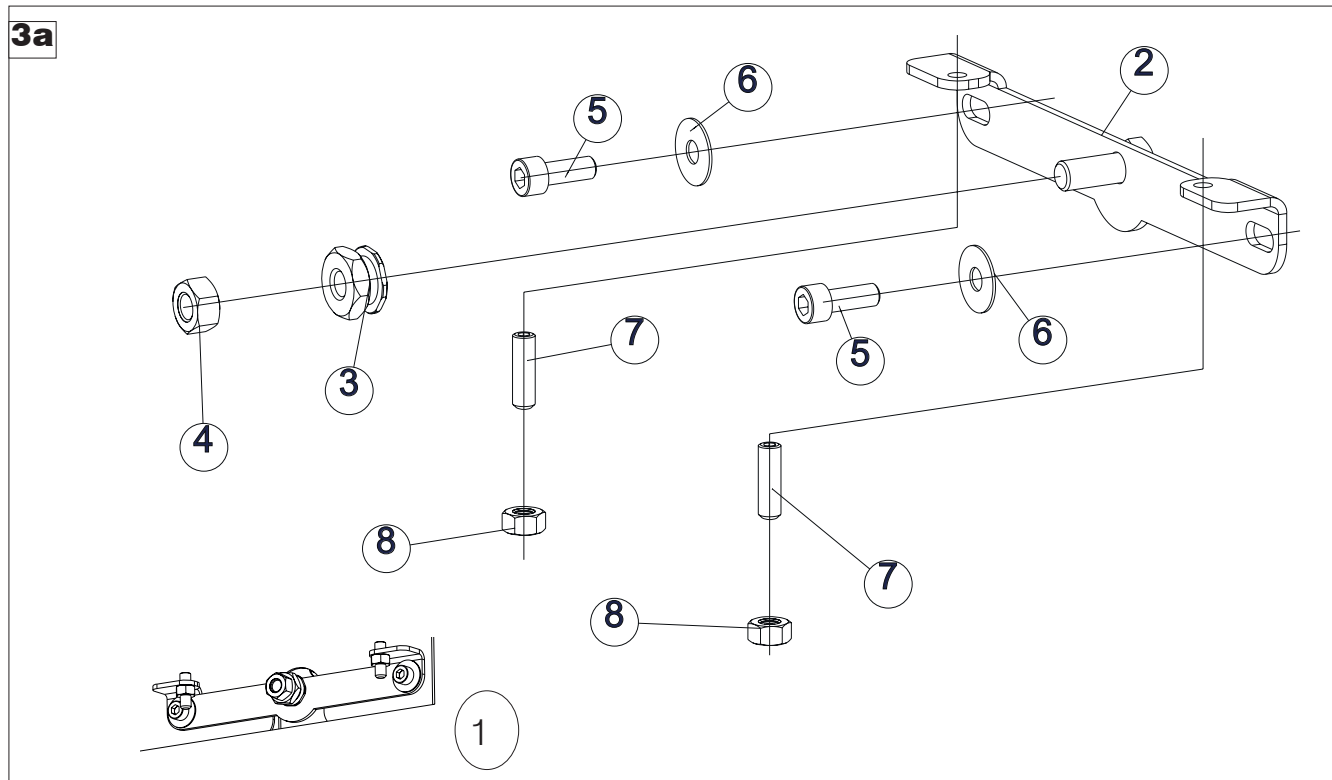
Remove product outline, replacing it with the new one as illustrated below .



Position the metal parts (2,3,4,5) starting from the bottom left (3, seen from the front). Each element snaps into place and then bolts on. Repeat for all four elements.



3a. prepare the brackets (figure below) and screw the 4 ceramic mounting brackets to the structure with the screws in the table below.



ENGLISH

n. in figure above	Description
1	Installed bracket (final result)
2	bracket before installation
3	pin
4	M8 nut
5	M6x16 bolt
6	washer
7	flat head grub screw
8	M6 nut



Component 3 must be oriented as shown, otherwise the ceramic parts will not stay in place.

4. Hook the ceramic parts onto the brackets.
You can adjust them with the mounting bracket grub screws and nuts before installing them.

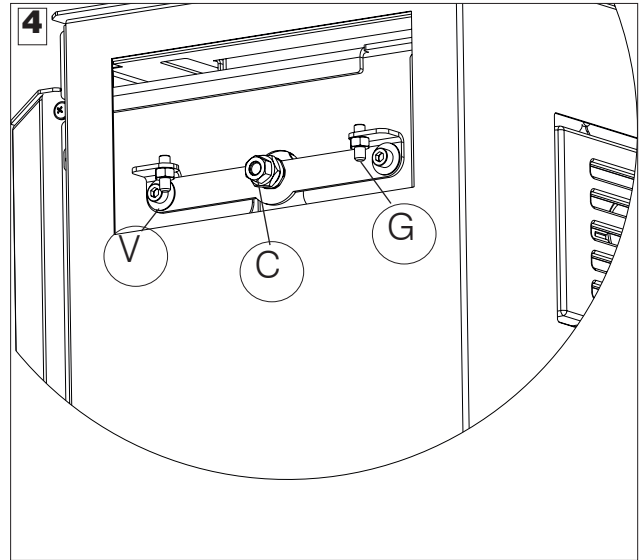
Adjusting the ceramic parts

Consider the references (right, outside, above and below) and view the ceramic part from the side of the stove.

To adjust the ceramic part inwards/outwards, slacken off the lock nut (C) and move the bush.

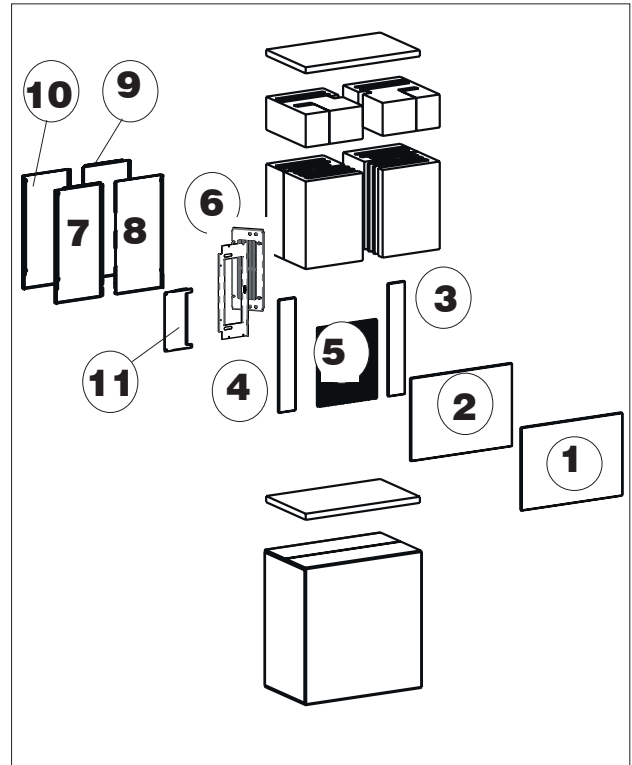
To adjust the ceramic part left/right, slacken off the metric bolts (V) and move the part in the slots.

To adjust it up/down, adjust the grub screw (G).



**CONTENTS OF CLADDING BOX
(STONE BLADE)**

- 6 stone elements: (1, 2, 3, 4, 5, 6) with applied metal frame. The elements are not interchangeable (with the exclusion of 1 with 2 / 3 with 4).
- 4 metal side elements (7, 8, 9, 10), not interchangeable
- 1 upwards air deflector (11)
- 1 rose for the side fumes discharge
- 1 bag of fasteners
- 4 washers (in case to adjust the top).



Remove the just laid down top before mounting to ease job if necessary.

The assembly operations are described in the diagrams on the following pages, for the achieving the component positions shown in the diagram to the side.



Levelling feet

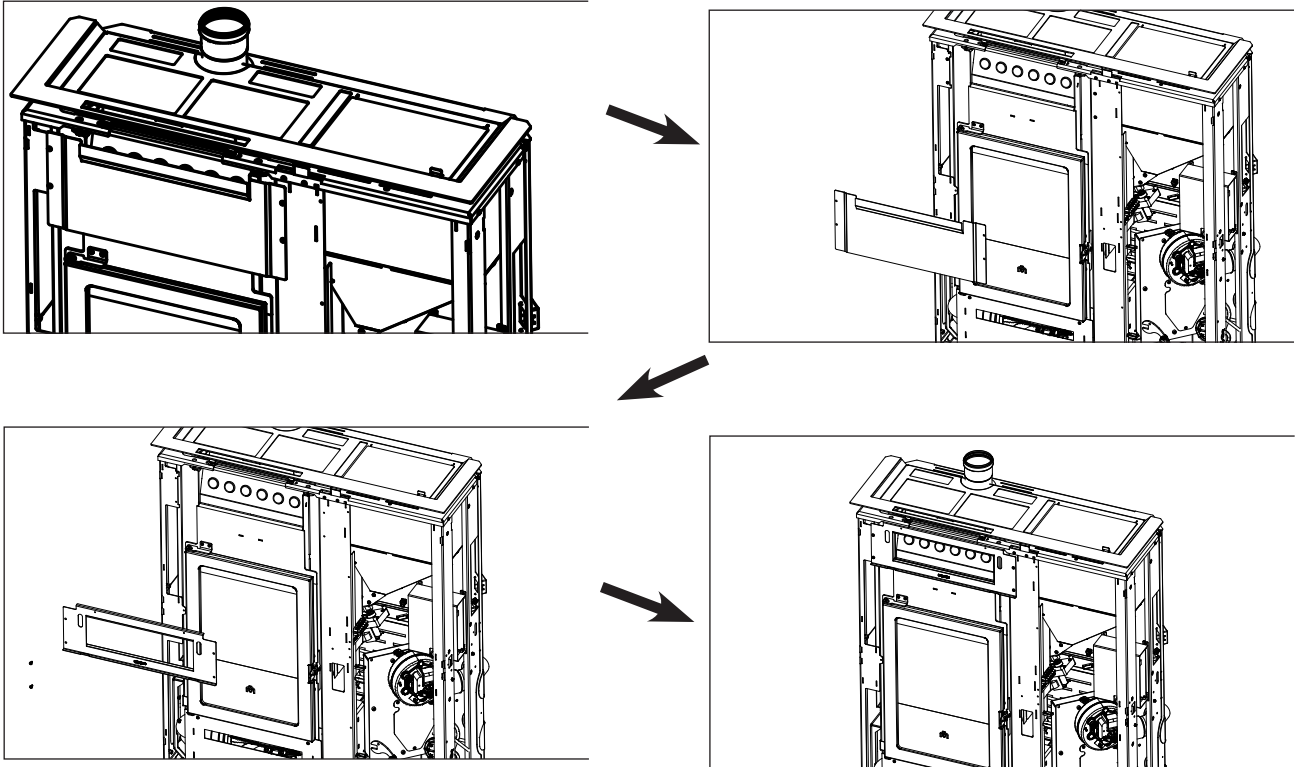
The product has 5 feet which can be adjusted with a screwdriver from inside the appliance **BEFORE** the cladding is fitted.



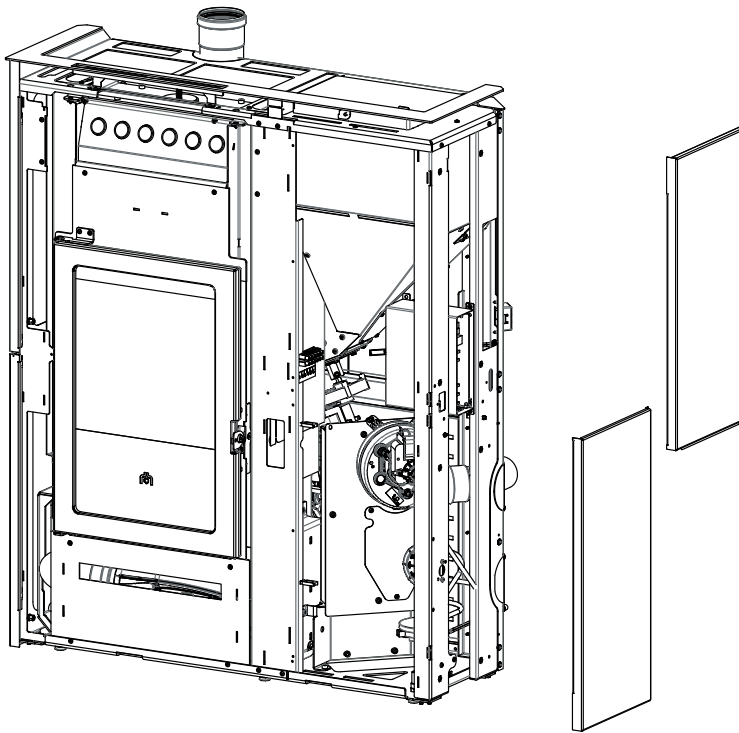
BEFORE INSTALLING THE STONES, SECURE IT TO THE WALL WITH THE PROVIDED BRACKETS TO MAKE SURE IT DOES NOT TIP OVER

COATING FITTING SEQUENCE

Remove product outline, replacing it with the new one as illustrated below .



Position the four metal side elements (7, 8, 9, 10) from the bottom.
Each element snaps into place and then bolts on



Locate the six stone components (see figure below). They are not adjustable.



REMARKS ON INSTALLATION

Note that:

- The appliance may only be installed by a qualified technician authorised to issue the declaration of conformity.
- The appliance must be installed and operated in compliance with local and national law and European regulations. The applicable Italian regulation is UNI 10683.
- If installed in a condominium, the appliance must be approved by the administrator.

We give some general instructions below, however these do not obviate the need to comply with local regulations and do not affect the installer's liability for the installation.

Checking the suitability of the installation space

- The room must have a volume of at least 20 m³
- The floor must be able to bear the weight of the product and its accessories.
- Level the appliance
- The appliance may not be installed in a bedroom, bathroom or in the same room as other equipment which draws air for combustion from the room itself, or in any area with an explosive atmosphere. Any extraction fans operating in the same room or area as the product, may affect its draw.
- In Italy, check the compatibility pursuant to UNI 10683 and UNI 7129 in the presence of gas fired products.

Levelling feet

The product has 6 feet (3 at the front and 3 at the back) which can be adjusted with a screwdriver from inside the appliance BEFORE the cladding is fitted.

Protection from heat and safety clearances

The surfaces of the building adjacent to the product must be protected against overheating.

The insulation to be used will depend on the type of surface in question.

The product must be installed in observance of the following safety instructions:

- minimum clearance at the sides and back of 10 cm from flammable materials.

If the material is not flammable, the minimum clearance is provided by the wall-mounting brackets (pre-installed).

- no flammable materials may be kept closer to the front of the appliance than 80 cm.

If connected to a wooden or otherwise flammable wall, the flue must be insulated appropriately.

If installed on a flammable or combustible floor, or which is not capable of bearing its load, use steel or glass plates under the stove to distribute the load.

Contact the retailer for such optional equipment.

Positioning the product

The product is designed to operate in all climatic conditions. In special circumstances, such as strong wind, its safety equipment may switch the stove off.

Contact the authorised Edilkamin Technical Assistance Centre.

FLUE SYSTEM**(Fumes duct, flue and chimney pot)**

This chapter has been drawn up pursuant to European regulations EN 13384, EN 1443, EN 1856 and EN 1457. The installer must observe both these and any other local regulations. This manual does not in any way substitute such regulations.

The product must be connected to a flue system which ensures that the fumes produced by combustion are exhausted in complete safety.

Before positioning the product, the installer must check that the flue pipe is properly rated.

FUMES DUCT, FLUE

The fumes duct (which connects the hearth's fumes outlet with the flue) and the flue itself must, among other regulatory requirements:

- receive the fumes from a single product (the outlets of multiple appliances may not be conveyed into a single flue)
- be routed vertically for the most part
- have no downwards sloping sections
- preferably have a circular internal cross section, or with a ratio of the sides of less than 1.5
- terminate at roof level with a proper chimney pot: the flue may not discharge directly from the wall or into an enclosed space, even if the space in question is open to the sky
- be made of material rated fire reaction class A1 per UNI EN 13501 or analogous national regulations.

- be certified, with a chimney plate if metal
- be of uniform cross section or vary in cross section only immediately after the outlet, not at some mid point of its length

THE FUMES DUCT

Further to the general prescriptions for the fumes duct and flue, the fumes duct:

- may not be made of flexible metal material
- must be insulated, if routed through unheated areas or outdoors
- must not be routed through rooms in which the installation of combustion heat generators is prohibited, or subject to fire hazard, or which cannot be inspected.
- must enable the recovery of soot and be open for inspection
- must have at most 3 bends, through an angle of no more than 90°
- must have a single horizontal section of length no more than 3 metri, depending on the draw. Note in any case that long sections promote the accumulation of dirt and are harder to keep clean.

THE FLUE:

Further to the general prescriptions for the fumes duct and flue, the flue:

- must serve solely to exhaust fumes
- must be correctly sized to satisfy the requirements of fumes exhaust (EN 13384-1)
- should preferably be insulated, in steel with a circular internal section. If rectangular, the corners must have a radius of not less than 20 mm, with a ratio of the internal dimensions of <1.5
- must normally be at least 1.5 metres in vertical length
- must have a constant cross section
- must be waterproof and thermally insulated to ensure a good draw
- must preferably have a collection chamber for
- If pre-existing, must be clean, to prevent the fire hazard.
- in general, we recommend fitting a tube inside the existing masonry chimney if its diameter is greater than 150 mm.

INTUBATED SYSTEM:

Further to the general prescriptions for the fumes duct and flue, the intubated system:

- must operate in negative pressure;
- must be open to inspection
- must observe local regulations.

THE CHIMNEY POT

- must be windproof
- must have an internal cross section equivalent to that of the flue and a fumes outlet at least double that of the interior of the flue
- for dual flues (which should be spaced at least 2 m apart) the chimney pot receiving the fumes from the solid fuel appliance or that from the higher storey, must be at least 50 cm higher than the other
- it must extend beyond the back flow zone (in Italy, refer to UNI 10683 point 6.5.8.)
- it must allow for maintenance of the chimney

EXTERNAL AIR INTAKE

In general, we suggest two ways for ensuring a proper flow of combustion air.

Indirect air intake

Install an intake at floor level with effective area (net of the mesh or other protective equipment) of at least 80 cm² (10 cm dia.).

To prevent draughts, we recommend installing the intake behind the stove or behind a radiator.

Installing it in front of the appliance will create unpleasant draughts.

Direct air intake

Install an air intake of effective area (net of the mesh or other protective equipment) at least equal to that of the air intake at the back of the product.

Connect the air intake to the appliance's air intake with a tube (which may also be flexible).

We recommend not exceeding a 5 m length and curving the tube at most 3 times, depending on the draw of the flue.

The air may be drawn from an adjacent room only if:

- the flow is taken from permanent and unobstructed openings communicating with the outdoors;
- the adjacent room is never in underpressure relative to the outdoors;
- the adjacent room is not a garage, subject to fire hazard, a bathroom or bedroom
- the adjacent room is not a shared room in the condominium.

CHECKING THE ELECTRICAL CONNECTIONS (the power socket must be located in an easy to access position)

The stove is equipped with an electrical power cord or connection to a 230V 50 Hz socket, preferably with electromagnetic cutout.

Variations in voltage of more than 10% can compromise the operation of the stove.

The electrical system must be compliant; check the operation of the earth in particular.

Edilkamin is not responsible for malfunctions resulting from an improperly earthed system.

The power line must be of adequate section for the power of the appliance.

The power cord must not come into contact with the hot parts of the stove, including the flue.

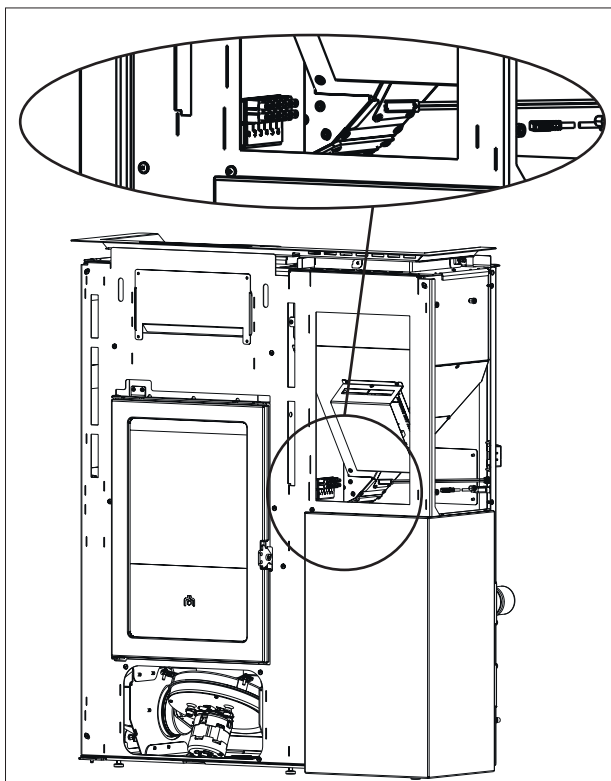
Power up the stove by setting its switch from 0 to 1.

One fuses (4 A) is inserted in the socket with switch, located on the back of the stove.

HOOKING UP OPTIONAL COMPONENTS

The product is fitted with a terminal block. 5 and 6 (AUX) can be used to hook up a thermostat or other device requiring a voltage-free contact.

1	2	3	4	5	6
Only for Technical Edilkamin				AUX	



First ignition procedure

- Make sure you have read and understood this manual
- Remove all flammable materials from the appliance (manuals, labels, etc). Make sure to remove the labels on the glass.

There may be a slight smell of paint the first few times it is ignited, however, this will disappear quickly.

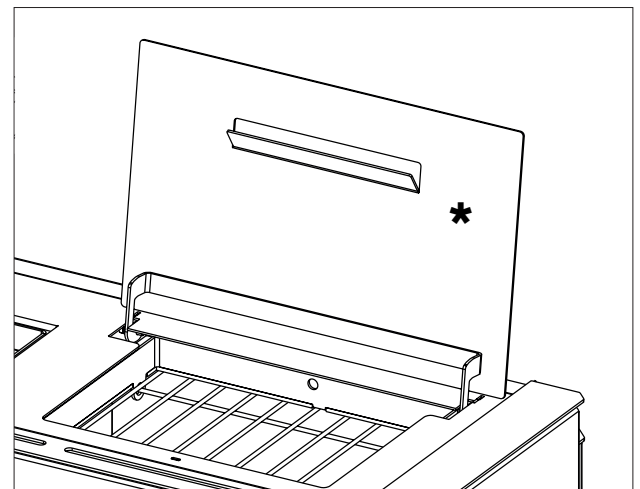
LOADING THE PELLETS INTO THE PELLET TANK

To access the tank, open the lid *



1) When doing so, DO NOT rest the bag of pellets on the top grille, since the plastic bag may melt and damage the appliance's paint.

2) Use the provided gloves when loading the stove while it is operating and hence hot to the touch.



Use UNI EN ISO 17225-2 category A1 wood pellets or similar regulatory products with the following characteristics.

- diameter 6 mm;
- length 3-4 cm
- humidity < 10 %

For reasons of safety and environmental compatibility, DO NOT burn plastic, painted wood, coal, bark or other such materials in the stove.

Do not use the stove as an incinerator



Caution

Using fuels other than those specified can damage the appliance

OPERATION

Description.

The access to and adjustment of these functions is described on page:

Method	Settings
MANUAL	<ul style="list-style-type: none"> power level ventilation level
AUTOMATIC	<ul style="list-style-type: none"> desired room temperature ventilation level
PROGRAM-CRONO	<ul style="list-style-type: none"> desired room temperature, selected per day of the week

The stove also has the following supplementary functions.

Function	In which mode it can be activated	What it does
STAND BY	automatic crono	when the desired temperature is reached, the stove shuts off and turns on again when the temperature drops
RELAX	manual automatic crono	enables natural convection mode (fan off), thus reducing the power
NIGHT	manual automatic	allows you to set the stove to go out after a given number of hours

PHASES

Further to the above operational procedures, the stove has the following phases

- Ignition (display reads ON) Flame ignites and grows stable

This is the result of:

- manual ignition with ignition button
- request from Crono
- power request during stand by
- request from external contact

Ignition has a variable duration, with the aim of reaching the start temperature

- Switch-off (display reads OFF)

The flame is extinguished and the stove cools down.

This is the result of:

- manual switch-off with switch-off button
- power demand ceases with Stand by function active
- request from Crono
- request from external contact

Switch-off has a variable duration, with the aim of reaching the stop temperature

- Shutdown

Switches the stove off in response to an alarm.

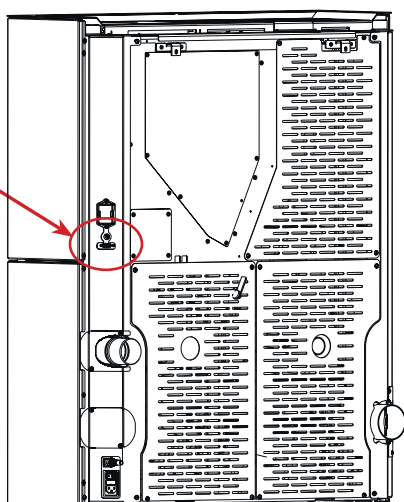
In case of malfunction, a key is available for switching the stove on and off and setting the temperature (without visual indication except for the flame itself)

SIMPLIFIED ON BUTTON

The user interface is the remote control but, if this is not available, you can control the stove with the button on its back (see figure)

1. WITH THE STOVE OFF
press the button for 2" to turn the stove on.
2. WITH THE STOVE ON
press the button for 2" to turn the stove off.
3. WITH THE STOVE ON IN MANUAL MODE
press the button to increase its output power

simplified on button



Do not cover the component above the button: it is the remote control receiver.

REMOTE CONTROL

Specifications:

RF transceiver module, frequency 2.4 GHz - Powered by two AAA 1.5 V batteries rated at least 1200 mAh. Risk of explosion if the batteries are replaced with other batteries of an incorrect type

ON/OFF button:

manual on/off button and for switching the remote from energy saving mode to active heating

touch buttons:

+: increment button (increases the stove's power, temperature or fan speed, etc., or scrolls through the menu)

-: decrement button (decreases the stove's power, temperature or fan speed, etc., or scrolls through the menu)

M: menu key / relax mode key

OK: confirm key, switches to the next setting and between automatic and manual modes

NOTES

- The remote control does not store the programs, which are stored on the logic board; there is thus no need to reprogram it when it is shut off or replaced by a new one.
- The remote exchanges information with the logic board (including room temperature sensing in automatic mode) every 2" and when it is activated by pressing the ON/OFF button.
- In normal use, the remote's batteries should last a year. This is an approximate value, since it depends on both the type of batteries and the intensity of use. Edilkamin and the reseller will not consider claims for battery life under any circumstances. If the battery charge is low, a warning displays at the top left.

REMOTE CONTROL POWER SAVING

If the remote is not used for 20", the display turns off to save power. The display turns black without text. This condition refers solely to the remote itself, and not to the stove.

To turn the display back on, press the ON/OFF button.

DO NOT PRESS THE ON/OFF BUTTON REPEATEDLY; this turns the stove on and off in manual mode



REMOTE CONTROL FIRST POWER ON

- Open the back of the remote and insert the two batteries in the indicated orientation.
- hooked up electrically
- **THE AUDIBLE SIGNALS PRESS THE ON / OFF BUTTON**

Otherwise it will not work



SENDING SIGNAL FROM THE REMOTE CONTROL TO THE PRODUCT IS CONFIRMED BY BEEP.

IN ABSENCE OF ANY BEEP, THE PRESSURE ON THE BUTTON WAS TOO SHORT.

If this is the first power on and the language has not yet been set, the language selection page will display. Select the language with the +/- keys and confirm it with OK. You are now asked to confirm or set the time and date. Set the values with the +/- keys and confirm with OK. The day of the week is calculated automatically using a perpetual calendar.

The display reads the **POSSIBLE STATES** described below:

- OFF STATE

The stove is shutting off or is off in response to operation of the remote control's ON/OFF key or an external contact (crono, phone dialler)

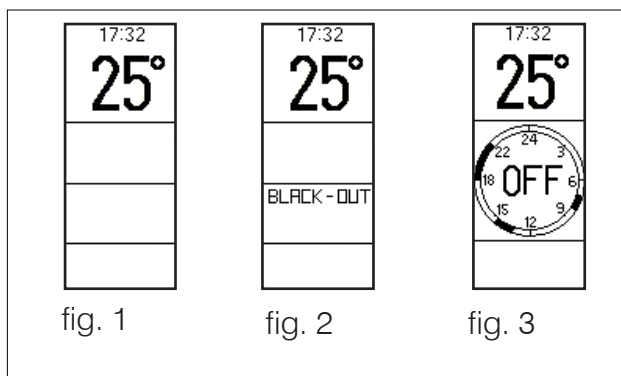
The display shows the current time, room temperature and the status in relation to which the stove is OFF.

The stove is OFF :

in response manual intervention (fig. 1)

due to power failure (fig. 2)

shut off by Crono mode (fig. 3)



From the OFF page, press the ON/OFF button for 3 seconds to go to the ON page.

Pressing the +/- keys has no effect.

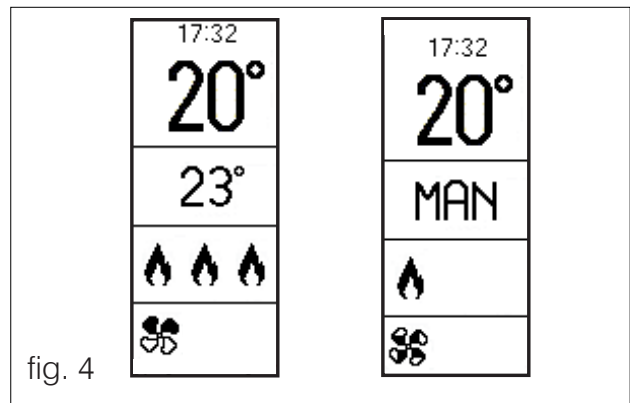
Pressing the M key displays the menu.

- ON STATE

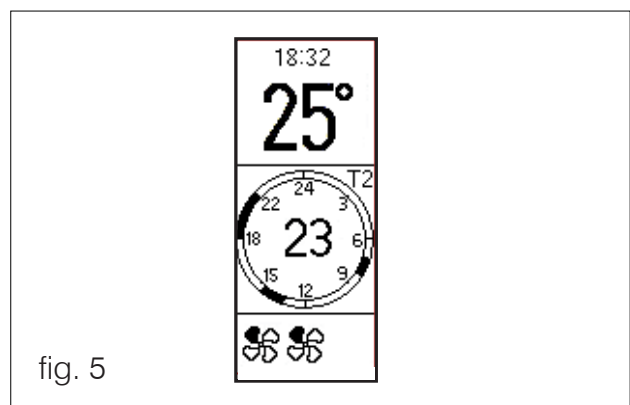
The stove is ON.

The display shows (figure 4)

1. the current time
2. the current room temperature
3. the room temperature setting or manual mode
4. the power level (represented by the flames)
5. the fan level (represented by the filling in of the blades)

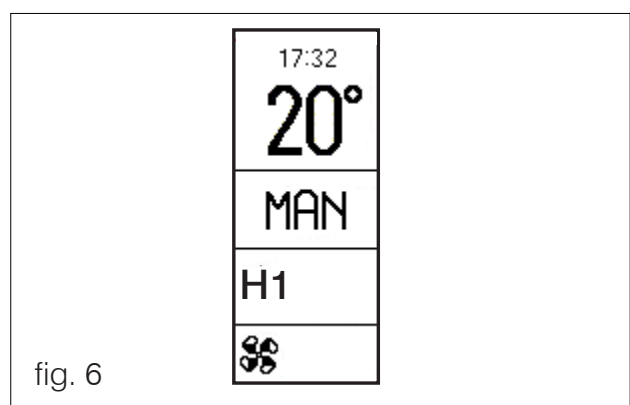


If timer programming is active, 3 and 4 are replaced by the day's timer programming with the current setpoint at the centre (figure 5) and the temperature displayed at the top right.



- ALARM STATE

In case of shutdown due to alarm, 4 is replaced by a message indicating the type of shutdown (figure 6)



- STAND BY STATE

Situation in which there is no demand for heating. If the Stand By function is active, the display shows the same information as in the ON state, without flame in the upper left displayed "STB".



When It Is On, The Stove Does Not Always Have A Flame. The Stove Turns On In Response To The Heating Demand Setting.

USER CONTROLS (REMOTE CONTROL)

- ON/OFF

- **Switch-on/switch-off**
- **Manual mode setting**

- Power setting
- Fan setting
- **Automatic mode setting**
- Temperature setpoint setting
- Fan setting

- RELAX function

- From the **Menu page:**

- **Load Pellets** (SCREW LOAD)
- **Stand By**
- **Crono-Program**
- **Night**
- **Date / time**
- **Display**
- **Language**
- **Beep** (BUZZER)
- **Info** (technician only)
- **Technical menu** (technician only)



We describe the procedures below.

ON/OFF

hold the ON/OFF button down to turn the product ON. When ON, the product has a flame (ignition phase, etc.) when there is a heating demand.

Switch-on/Switch-off

The ON/OFF button switches the product on (starts the ignition phase) or off (starts the switch off phase) manually **in Manual mode only.**

In Automatic mode, the product responds to the heating demand.

Setting Manual/Automatic

Press the OK button for 2 seconds to switch from manual to automatic or vice versa.

In Manual mode, the display reads "Man"

In Automatic mode, the temperature displays.

In automatic- Room Temperature Setting

Set Room Temperature (read by the remote control, this should be positioned in the room the product is installed in)

Set the temperature setpoint (Set) with the "+" and "-" buttons.

In manual- Power setting

Set the power level (displayed by the flame symbol) with the "+" and "-" buttons.

The power level displays next to the flame symbol.

Ventilation

The product is equipped with two fans, defined in the control logic as fan 1 and 2, and displayed as positions 1 and 2 (see below).

The two fans can be adjusted separately. First adjust fan 1 and then fan 2, as described below.

Ventilation setting

Follow the instructions below to manually regulate the power levels of fans 1, 2 and 3 (optional).

Press "OK" once

The fan setting displays, next to the blade symbol representing the fan.

Set the fan level with the "+" and "-" buttons.

The blades fill in to indicate the current setting.

Confirm by pressing the "OK" button for 2 seconds.

Fan setting 1 can also follow the room temperature demand (reduce when the temperature is close to the desired temperature or increase vice versa).

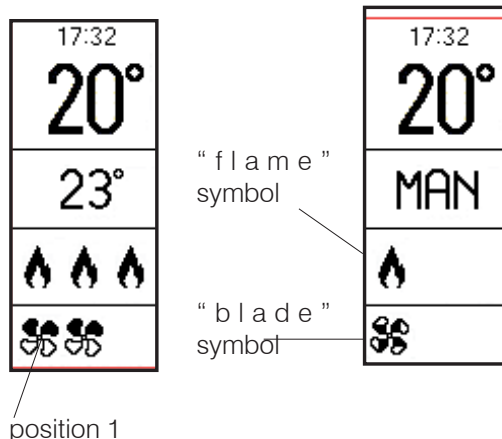
To activate this mode, press the + button to above the maximum fan setting. The letter "A" will appear next to the blade symbol.

Fan settings 2 and 3 (optional) can be increased or decreased using the +/- buttons as described above or follow the power demand (decrease when the power is decreased or increase vice versa).

To activate this mode, press the + button to above the maximum setting. The letter "A" will appear next to the blade symbol.

To ensure that the speed of fans 2 and 3 varies according to room temperature demand, contact CAT, who will be able to fit dedicated sensors.

THE NUMBER NEXT TO THE FAN BLADE OR FLAME ONLY DISPLAYS WHILE THE SETTING IS BEING MADE.



- Relax function

Natural convection function with automatic power limiting.

This function is available in all modes: automatic, manual and crono.

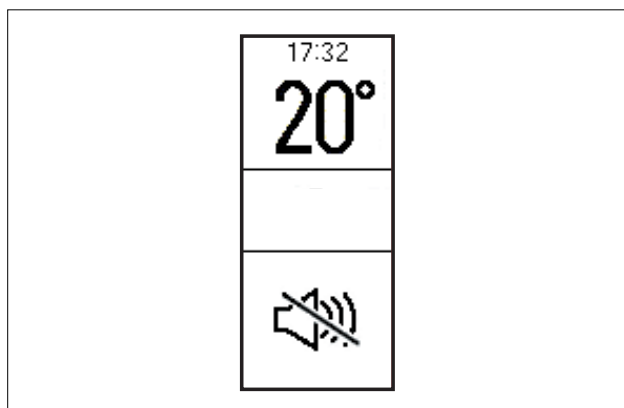
Hold down the "M" button for two seconds to activate the Relax function.

At display appears the symbol in the picture below. 

Hold it down again to deactivate it.

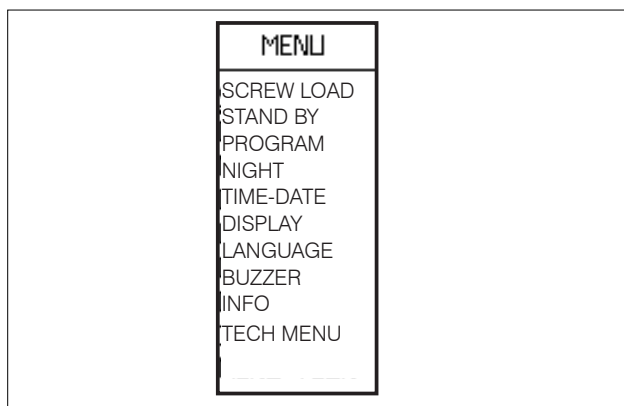
The product reduces its power output and after a few minutes switches the fan off too.

Pressing OK or "+" or "-" in this mode has no effect.



Menu

Press the "M" button to display the menu.



When the menu displays, the buttons have the following functions:

"+" : scroll up

"-" : scroll down

press and release "OK": enter menu option

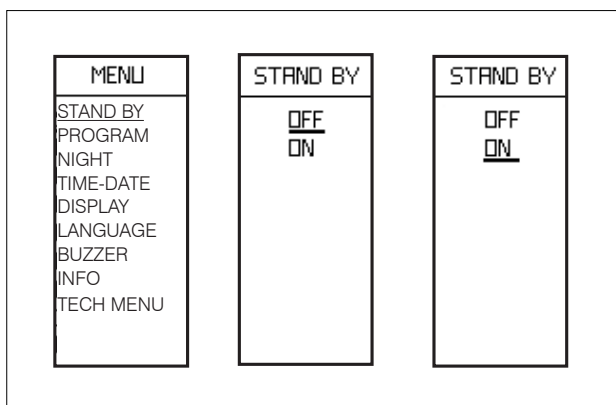
press and release "M": quit menu option

Press the ON/OFF button to confirm and return to the main page.

- Stand by

When the Stand by function is active, in automatic and timer modes, the product shuts off when the temperature setpoint is reached and turns on again when the temperature drops.

When the Stand By function is not active, the product sets itself to minimum power when the temperature setpoint is reached



To access the function from the main menu (as indicated in the Menu section above), press the M button. Scroll using the +/- buttons and select the function by pressing OK.

Use the "+/-" buttons to select OFF or ON.

Press "M" to quit without saving.

Press "OK" for two seconds to confirm and return to the previous menu level.

If you selected ON, the display shows the minutes for which the product will continue running at minimum power even when the temperature setpoint has been reached.

Use the "+/-" buttons to increase or decrease this time.

Press the ON/OFF button to confirm and return to the main page.



The stove is programmed by default with a delta of +/- 1 °C to optimise comfort.

The technician can change this setting during commissioning to suit the needs of the application.

The display shows the temperature rounded down, so that both 20.1°C and 20.9°C display as "20"

E.g., with the room temperature set to 20° C, the product will enter modulation mode/switch off when a temperature of 21° C is reached and will switch on again below 19° C.

Crono

When the Crono function is active, the user sets a temperature setpoint and a time zone for which that setpoint is specified.

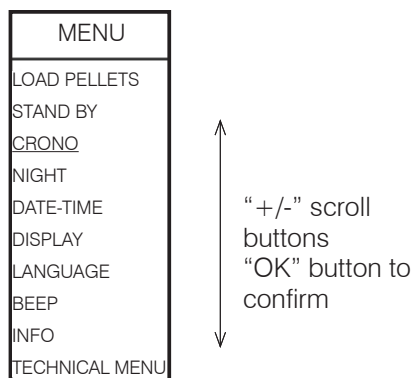
The setting involves different steps, which do not need to be consecutive:

- enabling the Crono mode to 7 days a week or on single days (“ENABLE” on the display);
- setting three temperature setpoints, making sure that T1 is always lower than T2 and T2 lower than T3 (“TEMP” on the display);
- combining one of the three temperatures (T1, T2 or T3) with a time period (“SET” on the display).

Once the settings are complete, you can display/change the time periods and the set temperatures (“CHANGE” on the display).

The ON/OFF button always allows you to return to the main screen.

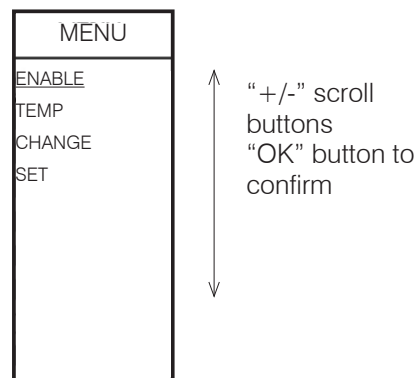
To enter the Crono function from the main menu, press “M” once from the active display. Scroll down to “Crono” (underlined) using the “+/-” buttons. Press “OK” to confirm and select the Crono function. To go back to the previous screen press the “M” button.



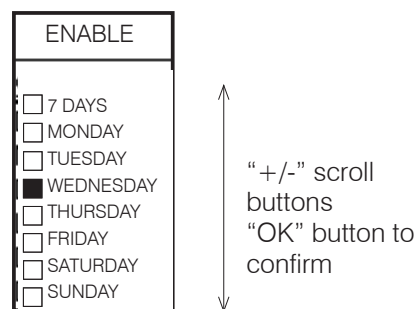
The following screen will appear. Scroll to “ENABLE” (underlined) using the “+/-” buttons.

To enable the Crono function to 7 days a week or on single days (“ENABLE” on the display), press the “OK” button.

To go back to the previous screen press the “M” button.



Scroll to the desired position (eg. “7 DAYS”, underlined) using the “+/-” buttons.

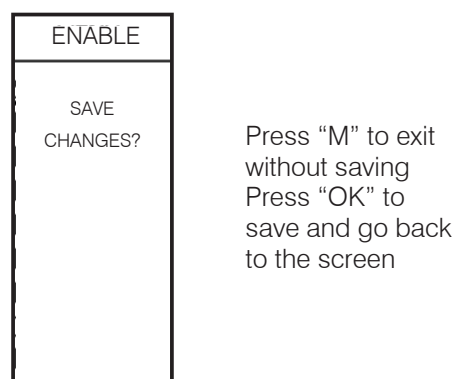


The selected option is identified by a black square on the right, instead of a white one (e.g. on Wednesday if selected).

To continue with other changes, press the “OK” button.

To choose between exit without saving and save, press the “M” button.

The following screen will appear.

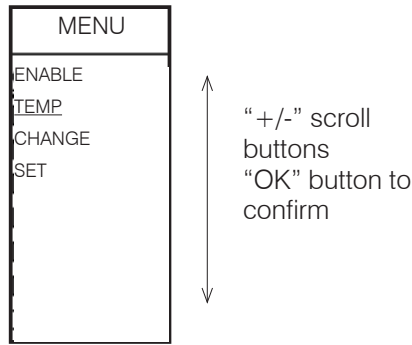


The Crono function is disabled when none of the items is selected.

When the Crono function is disabled, the product operates in automatic mode.

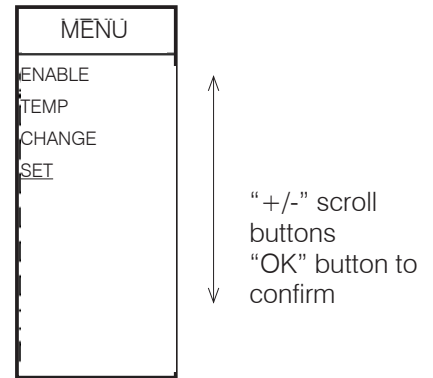
To set the temperature setpoints (“TEMP” on the display), from the Crono function, press the “OK” button. The following screen will appear.

Scroll to “TEMP” (underlined) using the “+/-” buttons. Press the “OK” button to confirm and select “TEMP”. Press the “M” button to go back to the previous screen. Press the “OK” button to enter the “TEMP” function.



To combine one of the three temperatures to a time period (“SET” on the display), from the Crono function, press the “OK” button. The following screen will appear.

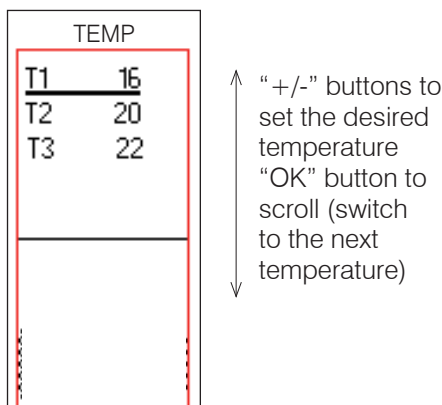
Scroll to “SET” (underlined) using the “+/-” buttons. Press the “OK” button to confirm and select “SET”. Press the “M” button to go back to the previous screen. Press the “OK” button to enter the “SET” function.



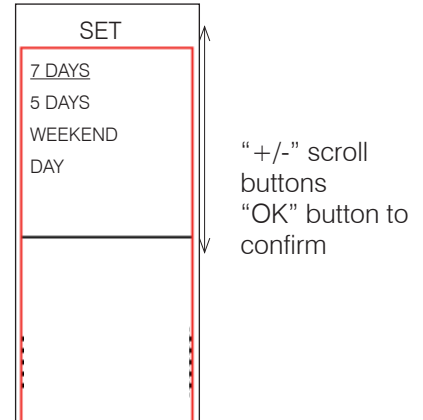
The Crono has three adjustable setpoints: T1, T2 and T3 (screens below).

Press the “OK” button to switch between the setpoints. Use the “+” and “-” buttons to set the desired temperature setpoint for each level.

T1 must always be lower than T2 and T2 lower than T3; if you try to set a T1 temperature that is higher than T2, the T1 temperature will automatically match T2.



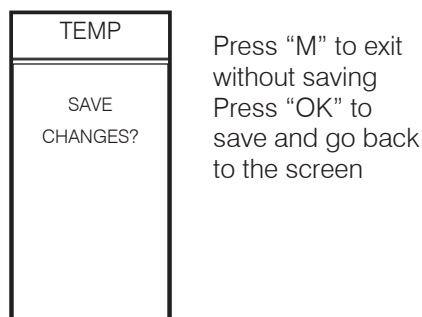
The first page (below) allows you to choose whether to apply the same Crono configuration for 7/7 days, 5/7, weekend only or day by day.



To continue with other changes, press the “OK” button.

To choose between exit without saving and save, press the “M” button.

The following screen will appear.



NOTE

Press the O/I key to switch on/off the product, outside setted time periods, when Crono mode is enabled. Crono mode will be disabled.

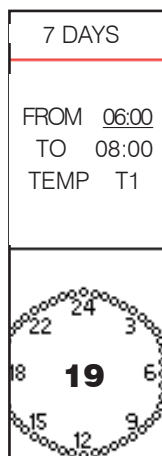
See instructions on the Crono section to restore the Crono mode.

The second screen (accessible by pressing the “OK” button from the first screen) allows you to set the start and end time of the time period matching the chosen temperature setpoint (T1,T2 and T3).

The set temperature is shown in the middle of the clock.

This is done in steps of 30'. The periods that the appliance is ON are shown with the dots of the numbers in black. The periods shown with the dots of the numbers in white, the appliance is OFF.

The setting screen is the following.



Press the “+/-” buttons to change the switch-on time. Hold the button down to scroll through the times more quickly.

Press the “OK” button to confirm and go to the end time setting.

Press the “+/-” buttons to change the switch-off time. Hold the button down to scroll through the times more quickly.

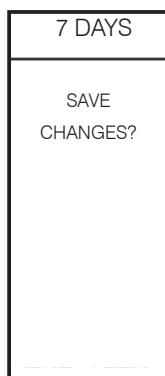
Press the “OK” button to confirm and go to the temperature selection (T1, T2 or T3).

Press the “+/-” buttons to switch between the temperatures.

To continue with other changes, press the “OK” button.

To choose between exit without saving and save, press the “M” button.

The following screen will appear.



Press “M” to exit without saving
Press “OK” to save and go back to the screen

To view/change the settings (“CHANGE” on the display), from the Crono function, press the “OK” button. The following screen will appear.

Scroll to “CHANGE” (underlined) using the “+/-” buttons.

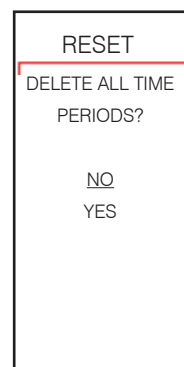
Press the “OK” button to confirm and select “CHANGE”.

To go back to the previous screen press the “M” button.



“+/-” scroll buttons
“OK” button to confirm

From the “CHANGE” function, in addition to changing/ viewing the “7 DAYS”, “5 DAYS”, “WEEKEND”, “DAY” programming, you can **erase all time settings using the “RESET” function.**



Use the “+/-” buttons to switch between YES and NO
“OK” button to continue with other changes

Night (deferred switching on/off)

This function switches the product on/off after a set period from activation of the function.

This is convenient if you go to bed and want the product to switch on/off after a few hours (12 hours maximum).

Activating the Night function

To access the function from the main menu (as indicated in the Menu section above), press the M button. Scroll using the +/- buttons and select the function by pressing OK.

Use the "+/-" buttons to activate/deactivate the function.

To exit without saving, press the "M" button.

Confirm by pressing the "OK" button for two seconds.

Setting the hours

Press "+" to increase the duration.

To exit without saving, press the "M" button.

Confirm by pressing the "OK" button for two seconds.

Press ON/OFF to return to the main screen.

With the Night Function active, the display shows the moon in the top left corner.

To quit the function, return to the menu and set the Night function to Deactivated. The procedure is the same as for activation.

Load Pellets

Allows you to load pellets after the screw feeder has emptied following a no-pellets alarm.

Useful for the technician during commissioning.

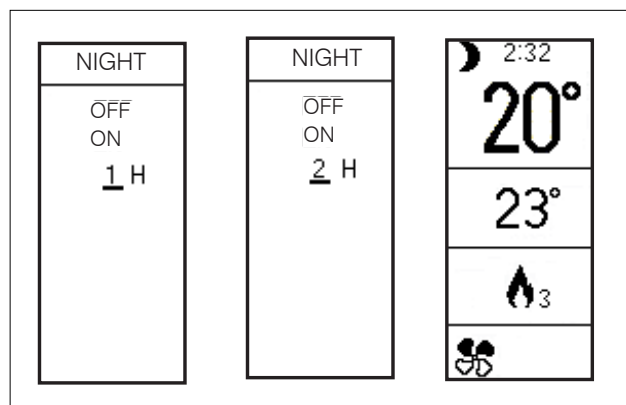
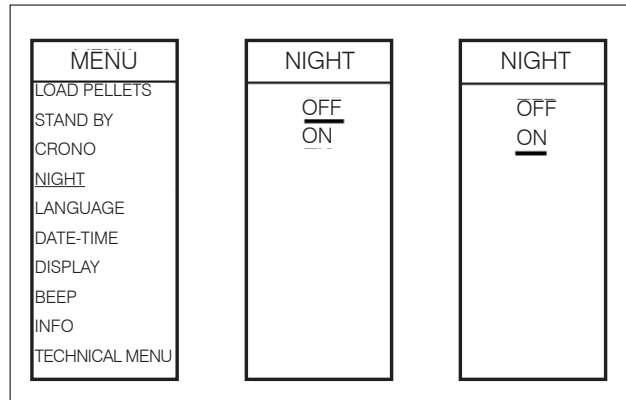
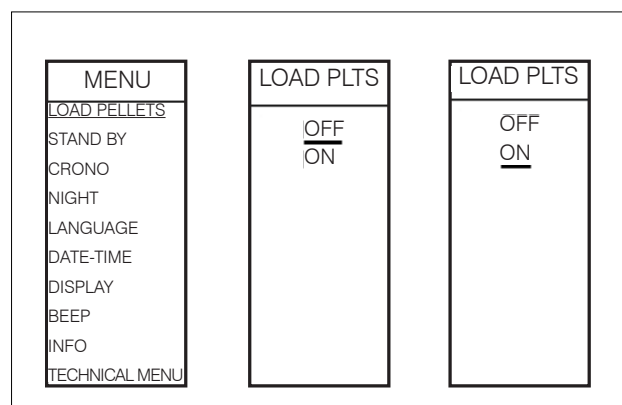
Available only in the OFF state. If you attempt to activate the function in other states, access is not granted.

To access the function from the main menu (as indicated in the Menu section above), press the M button. Scroll using the +/- buttons and select the function by pressing OK.

Use the "+/-" buttons to activate/deactivate the function.

Press "M" to quit without saving.

Confirm by pressing the "OK" button for 2 seconds



Language

Selects the language.

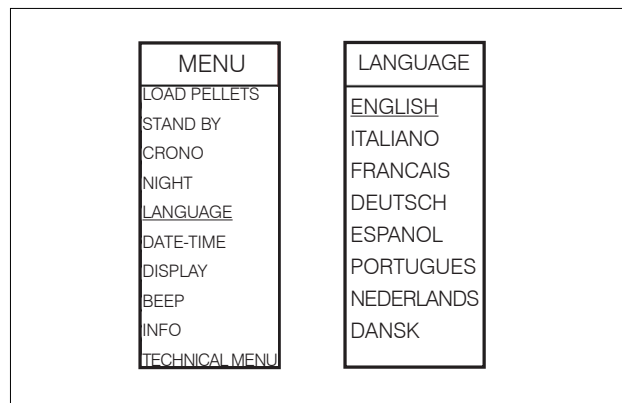
This displays the first time the remote control is activated with the product powered on, or by selecting the option from the menu.

To access the function from the main menu (as indicated in the Menu section above), press the M button. Scroll using the +/- buttons and select the function by pressing OK.

Use the "+/-" buttons to select the language.

To exit without saving, press the "M" button.

Confirm by pressing the "OK" button for two seconds.



USER INSTRUCTIONS

Date/Time

Sets the current date/time.

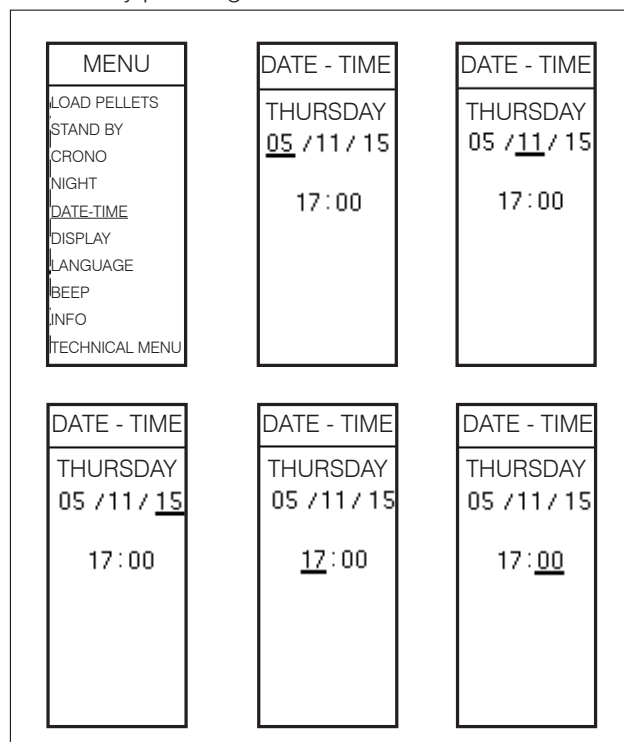
This displays the first time the remote control is activated with the stove powered on, or by selecting the option in the menu.

To access the function from the main menu (as indicated in the Menu section above), press the M button. Scroll using the +/- buttons and select the function by pressing OK.

Use the "+/-" buttons.

Press "M" to quit without saving.

Confirm by pressing the "OK" button for 2 seconds.



Display

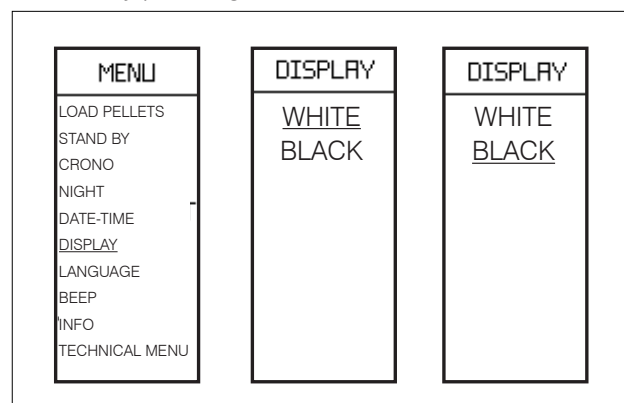
It allows you to choose the background of the display, from white to black, or deactivate the lighting (Led ON - Led OFF).

To access the function from the main menu (as indicated in the Menu section above), press the M button. Scroll using the +/- buttons and select the function by pressing OK.

Use the "+/-" buttons to select the colour.

Press "M" to quit without saving.

Confirm by pressing the "OK" button for 2 seconds



Beep

Allows you to enable/disable the beep.

To access the function from the main menu (as indicated in the Menu section above), press the M button. Scroll using the +/- buttons and select the function by pressing OK.

Use the "+/-" buttons to select On/Off.

Press "M" to quit without saving.

Confirm by pressing the "OK" button for 2 seconds.

Info

These readings should only be done when requested by the technician.

The technician understands the diagnostic meaning of the messages and numbers, and may ask you to read them to him/her if you experience problems.

Technical menu

Accessible only to an authorised technician with the appropriate password.



NOTES FOR THE MAINTENANCE

- **Before doing any maintenance, disconnect the appliance from the mains.**
- **Regular maintenance is essential to keeping the appliance in good working order.**
- **Failure to service the product properly will prevent it from working properly.**
- **Any problems due to failure to service the stove will void the warranty.**
- **Do not dump the cleaning residue into the pellet tank.**
- **Do not make unauthorised modifications.**
- **Use original spare parts. Using non-original parts voids the warranty.**
- **Use a vacuum cleaner to clean the stove. The entire procedure takes only a few minutes.**
- **Using the stove without cleaning the grate can cause the gas in the combustion chamber to ignite and detonate.**
- **Do not vacuum up hot ash; this damages the vacuum cleaner and may cause a fire.**

DAILY MAINTENANCE (figure 1, facing page)

This must be done with the appliance switched off and cold.

- Open the door and extract the two-part grate (1) and ash drawer.
- Empty out the ash drawer (2) and grate into a non-flammable container.
- Vacuum out the interior of the hearth, the bed, and the compartment around the grate into which the ash falls.
- Use the cleaning brushes (3) under the styling grille. **MAKE SURE THEY ARE COLD OR USE GLOVES TO DO SO.**
- Scrape the grate with the provided scraper and clean out any obstructed holes.
- If necessary, clean the glass (when cold) with a suitable product.

MONTHLY INSPECTION (figure 2, facing page)

This must be done with the appliance switched off and cold.

Open the door and inspect the condition of the interior. If the stove is being used frequently, consider whether to remove and clean the deflector (4). As shown in the sectional view on the facing page, make sure to reposition it properly at the top. Positioning it improperly can cause irregular combustion and blacken the glass.

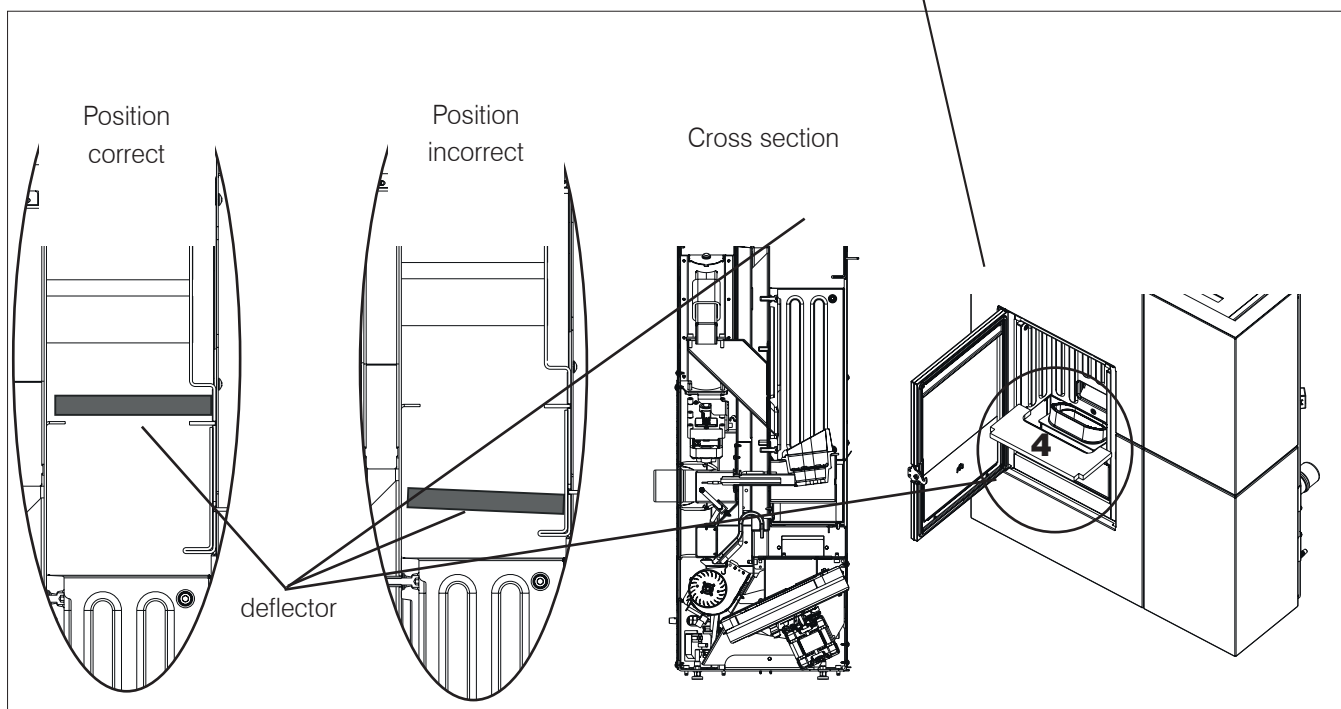
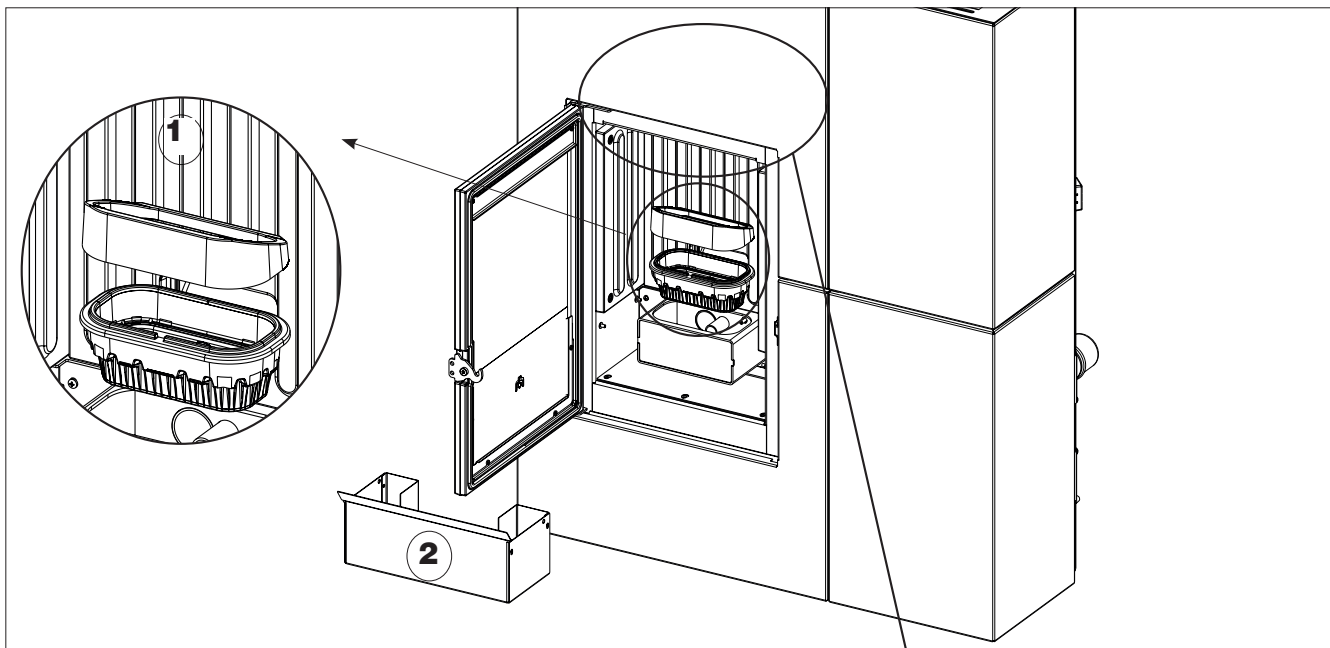
The deflector positioning procedure is given in the section on seasonal maintenance (two pages below)



Make sure the grate is seated properly, without ash or uncombusted matter trapped around its border.



ATTENTION:
make sure the ash tray is correctly positioned in its housing
Take care not to bang the door when closing it



SEASONAL MAINTENANCE

(implemented by the DEALER)

Clean the stove internally and externally

In the event of very frequent use of the oven, it is advised cleaning of the smoke passage duct and smoke channel every 3 months.

You should clean the chimney system at least once a year (check local regulations for details).

If you fail to regularly clean and inspect the system, there is an increased risk of the chimney pot catching fire.

We remind you not to use compressed air during the seasonal maintenance for cleaning the air inlet pipe.

SUMMER SHUTDOWN

During the period of disuse, keep the stoves doors, hatches and lids closed.

We recommend emptying out the pellet tank.

SPARE PARTS

For any spare parts, contact your reseller or technician. Using non-original spare parts may damage the appliance and relieves Edilkamin of all liability for damage resulting therefrom.

DISPOSAL

At the end of its service life, dispose of the product as required by regulations.

Deliver to the special recycling centres.



Ai sensi dell'art. 26 del Decreto Legislativo 14 marzo 2014, n. 49 "Attuazione della direttiva 2012/19/UE sui rifiuti di apparecchiature elettriche ed elettroniche (RAEE)".

Il simbolo del cassonetto barrato riportato sull'apparecchiatura o sulla sua confezione indica che il prodotto alla fine della propria vita utile deve essere raccolto separatamente dagli altri rifiuti.

L'utente dovrà, pertanto, conferire l'apparecchiatura giunta a fine vita agli idonei centri comunali di raccolta differenziata dei rifiuti elettrotecnici ed elettronici.

L'adeguata raccolta differenziata per l'avvio successivo dell'apparecchiatura dismessa al riciclaggio, al trattamento e allo smaltimento ambientalmente compatibile contribuisce ad evitare possibili effetti negativi sull'ambiente e sulla salute e favorisce il reimpiego e/o riciclo dei materiali di cui è composta l'apparecchiatura.

If problems occur, the stove shuts itself off automatically.

The display will show the reason (see below).

DO NOT disconnect the electrical power supply.

To start the product up again, allow the shutdown procedure to complete, then press the remote control's ON/OFF button or the simplified ignition button.

Before starting the product up again, check the reason for the shutdown and CLEAN THE GRATE.

The product is equipped with a safety valve but, if the grate is not cleaned regularly as explained above, ignition may involve a small detonation. If white smoke forms in the combustion chamber for a long time, disconnect the mains supply and wait 30 minutes before opening the door and emptying out the grate.

SHUTDOWN MESSAGES AND THEIR SOLUTIONS:

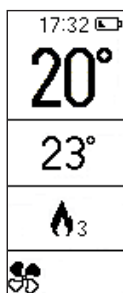
MESSAGE	PROBLEM	SOLUTION
H01	displays when the combustion air intake is below the set level	<ul style="list-style-type: none"> • Check that the hearth door is closed • Check that the stove, exhaust and combustion air duct are clean.
H02	displays when the logic board is not detecting the right fumes fan speed	<ul style="list-style-type: none"> • Contact the technician
H03	displays when the thermocouple detects a fume temperature lower than the set value and interprets this as the absence of flame	<ul style="list-style-type: none"> • Check that there are pellets in the tank • Contact the technician
H04	displays when ignition times out unsuccessfully	<p>There are two possibilities:</p> <p>NO FLAME PRESENT</p> <ul style="list-style-type: none"> • Check that the grate is seated properly and clean • Check that there are pellets in the tank and grate • Use a bit of solid paraffin to ignite the stove (contact the technician first) <p>FLAME PRESENT</p> <ul style="list-style-type: none"> • Contact the technician
H05	NOT available on this model	
H06	displays when the logic board determines that the fumes thermocouple is broken or disconnected	Contact the technician

MESSAGE	PROBLEM	SOLUTION
H07	Shutdown due to exceeding maximum fumes temperature.	<ul style="list-style-type: none"> • Check the type of pellet (contact the technician if in doubt) • Contact the technician
H08	Shutdown due to overheating in the product	<ul style="list-style-type: none"> • please see H07
H09	Shutdown due to gearmotor failure.	<ul style="list-style-type: none"> • Contact the technician
H10	Shutdown due to exceeding maximum motherboard temperature	<ul style="list-style-type: none"> • Contact the technician
H11	Shutdown for pressostat security	<ul style="list-style-type: none"> • Check that the fireplace, exhaust duct • Contact the technician
H12	Problem in the thermostat. the product works only in manual mode	<ul style="list-style-type: none"> • Contact the technician

MESSAGES WHICH DO NOT SHUT THE Fireplace DOWN, BUT ARE SIMPLY WARNINGS

LOW REMOTE CONTROL BATTERY LEVEL:

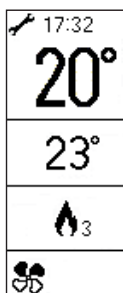
The battery symbol displays on the remote's display if the battery is low.



MAINTENANCE:

A wrench symbol is shown on the display after 2000 hours of operation.

The product is working, but it must be serviced by an authorised Edilkamin technician.





www.edilkamin.com

cod. 941946-GB 10.18/A