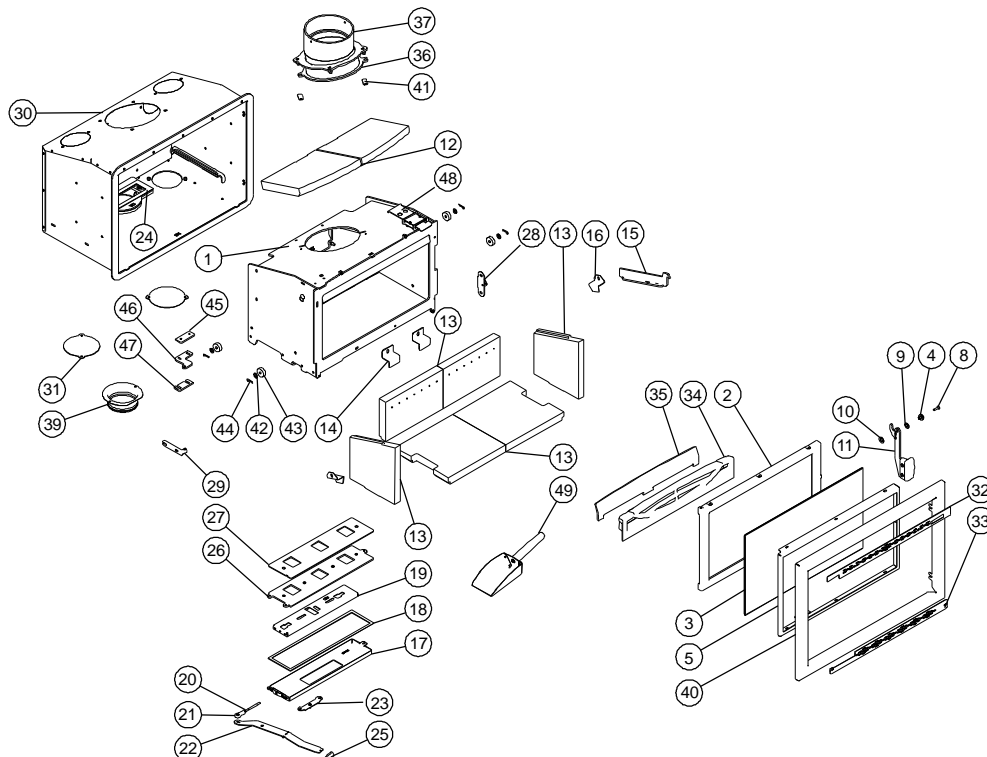




Issue C



Item	Part No.	Description	Ex.Vat.	Inc.Vat.	Item	Part No.	Description	Ex.Vat.	Inc.Vat.
1	001/XR010	Firebox			26	004/XR072	Air Control Plate	44.00	52.80
2	002/BT001	Door Casting		124.80	27	008/XR073	Air Control Gasket	10.00	12.00
3	006/BT018	Glass	158.00	189.60	28	004/MR044	Latch Plate	11.20	13.44
4	008/MR047	Handle Pivot Boss	7.10	8.52	29	002/XR020	Lower Hinge Bracket	18.20	21.84
5#	004/BT023	Glass Trim	43.50	52.20	30	010/XR011	Convection Casing		
7*	008/XR076	Door Seal	45.00	54.00	31	004/MR060	Air Duct Cover	11.40	13.68
8	008/FFS046	M6x20 CSK Allen Screw	0.30	0.36	32	004/BT025	Screen Top	18.90	22.68
9	008/FFW027	M10 Wavy Washer	1.26	1.51	33	004/BT029	Screen Lower	18.90	22.68
10	008/FFW007	M10x19 Washer	0.10	0.12	34	002/MR017	Fence	52.00	62.40
11	010/MR038	Handle Assembly	5.60	6.72	35	010/MR078	Ash Barrier	16.60	19.92
12	011/MR031S	Set of Baffle Firebricks	49.00	58.80	36	010/XR098	6" Lower Flue Adaptor	56.50	67.80
13	011/XR030S	Set Base, Back & Side Bricks	89.00	106.80	37	010/XR096	6" Upper Flue Adaptor	104.00	124.80
14	004/XR008	Back Brick Bracket	3.95	4.74	38#	008/XR044	Inner Flue Gasket	11.40	13.68
15	010/XR087	Throat Plate Support Bracket	28.50	34.20	39	010/MR126	100mm Spigot Assy	56.50	67.80
16	004/XR025	Side Brick Bracket	3.95	4.74	40#	004/BT024	Facia Plate	50.00	60.00
17	004/XR055	Air Slide Cover	46.00	55.20	41	004/GR090	Fastener Retainer	0.88	1.06
18	008/XR063	Air Box Upper Gasket	15.10	18.12	42	008/FFW007	M8 Washer	0.10	0.12
19	004/XR007	Air Control Slider	16.60	19.92	43	010/XR085	Roller	3.95	4.74
20	004/XR064	Control Rod	7.10	8.52	44	008/FFP006	R-Pin	0.10	0.12
21	008/FFM056	Rod End	16.50	19.80	45	010/BT043	Upper Hinge Spacer	2.85	3.42
22	010/XR022	Air Slide Control Handle	15.20	18.24	46	010/XR041	Upper Hinge Bracket	7.10	8.52
23	004/XR058	Clicker Assembly	14.00	16.80	47	010/XR042	Hinge Spacer	5.60	6.72
24	008/XR062	Airbox Lower Gasket	12.90	15.48	48	012/BT011	Serial No Label		
25	008/XR012	Control Knob	9.10	10.92	49	010/XR088	Ash Scoop	16.60	19.92

* These items are not shown in the drawing

Please specify the colour when ordering Prices are shown in pounds sterling with vat at 20% They are correct at the date shown but may be subject to change without notice. E. & O.E These prices are subject to a carriage charge.

To obtain spare parts please contact your local stockist giving Model, Part No. and Description. In case of difficulty contact the manufacturer at the address shown. This drawing is for identification purposes only.

