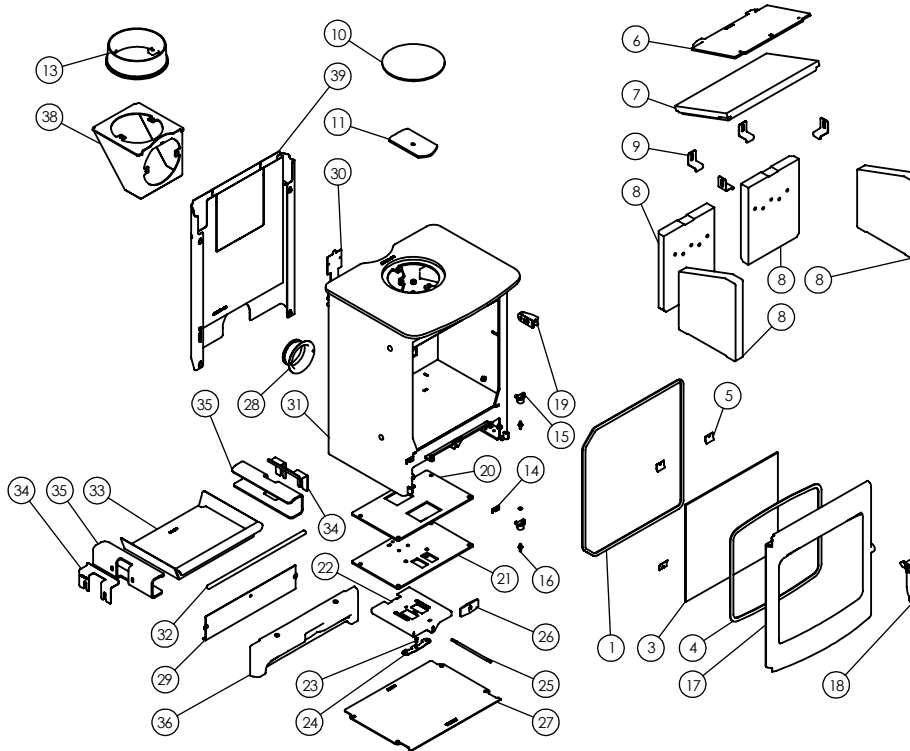




Issue D



Item	Part No.	Description	Ex.Vat.	Inc.Vat.	Item	Part No.	Description	Ex.Vat.	Inc.Vat.
1	008/AB035	Rope Door Seal	12.75	15.30	21	010/AB130	Air Control Plate	33.00	39.60
2*	008/FW29	Door Seal Adhesive	7.50	9.00	22	004/AB115	Slider	13.80	16.56
3	006/AB018	Glass (Inc Seal)	57.50	69.00	23	008/ES36/01	Brass Ball Catch	4.95	5.94
4	008/AY45	Glass Seal	13.80	16.56	24	004/BR015	Clicker Retainer Plate	3.85	4.62
5	004/KV23	Glass Retainer	0.76	0.91	25	004/BR016	Control Rod	19.50	23.40
6	010/AB045	Upper Throat Plate	32.50	39.00	26	008/EZ105	Air Control Handle	12.10	14.52
7	011/AB031	Throat Plate	37.00	44.40	27	010/AB077	Base Cover Plate	32.50	39.00
8	011/AB028S	Set of Fire Bricks	69.00	82.80	28	004/CR048	Air Inlet Spigot	NA	
9	004/XV30	Brick Bracket	4.00	4.80	29	004/AB057	Airbox Cover	10.10	12.12
10	012/TW09	Blanking Plate	26.50	31.80	30	012/ABL011	Serial No. Label		
11	010/AY51	Clamping Plate	21.00	25.20	31#	001/ABL010	Firebox		
12*	008/NV38	Flue Fixing Rope Seal	8.20	9.84	32	002/AB008	Front Fence	34.50	41.40
13#	002/CH12B	Flue Collar	79.00	94.80	33	004/AB017	Ashpan	39.50	47.40
14	004/BR021	Hinge Shim	0.62	0.74	34	004/AB044	Brick Retainer	7.90	9.48
15	002/BR020	Hinge	12.80	15.36	35	010/AB016	Side Plate	26.50	31.80
16	008/ST068/2	Hinge Pin Set	3.85	4.62	36#	003/ABL002	Front Lower Casting	57.00	68.40
17#	003/AB001A	Door Assembly	250.00	300.00	37*	010/EV51	Ash Carrier (Optional Extra)	132.00	158.40
18#	003/AB012A	Door Handle	42.00	50.40	38#	010/TW33	Vert Rear Flue Adaptor (Opt'l Extra) ...	132.00	158.40
19#	003/AB055A	Latch Reciever	31.50	37.80	39#	010/AB080	Heat Shield (Optional Extra)	88.00	105.60
20	008/AB110	Air Control Gasket	10.10	12.12	40	010/AB006	Ash Retainer (Optional Extra)	30.00	36.00

*These items are not shown on the drawing.

Please specify colour when ordering. Prices are shown in pounds sterling with vat at 20% They are correct at the date shown but may be subject to change without notice. E. & O.E These prices are subject to a carriage charge.

To obtain spare parts please contact your local stockist giving Model, Part No. and Description. In case of difficulty contact the manufacturer at the address shown. This drawing is for identification purposes only.

