

BASIC INFORMATION ABOUT THE PRODUCT

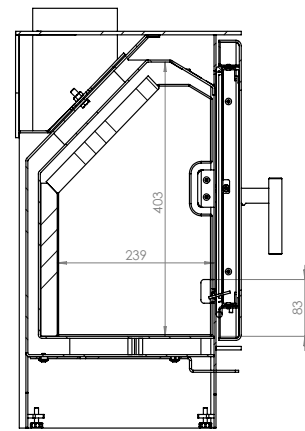
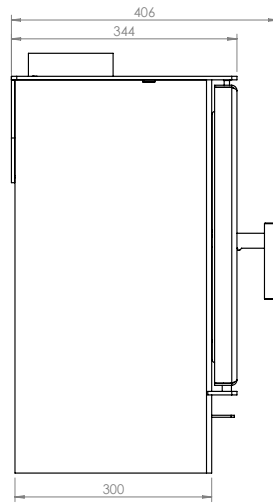
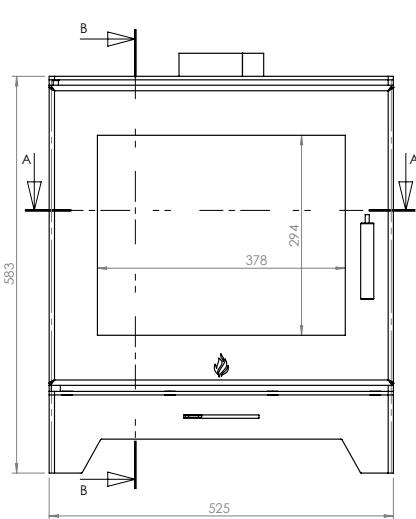


- Modern, compact free standing fireplace, ideal as an additional source of heat and decoration.
- Possibility of installation in open spaces.
- High wood burning efficiency, offering profitability and eco-friendliness.
- Covered with high-temperature paint for protection and aesthetics.
- Air curtain at the windscreen and secondary air vents on the rear wall.
- Three-stage aeration and two dampers to regulate the air supply.
- Movable cast iron grate with ash pan for easy ash removal.
- External cold air intake for compatibility with mechanical ventilation.
- Decorated DECOR fireplace ceramics and polished fireplace glass with an air curtain resistant to 800°C.

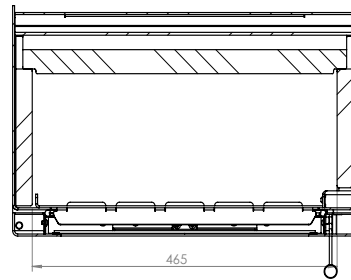
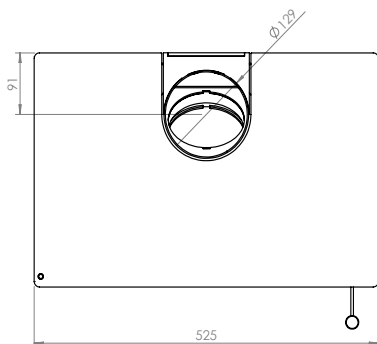
Nominal power [kW]	5,5
Heating load range [kW]	2,7 - 7
Thermal efficiency [%]	79
CO emissions (at 13% O2) [g/m3]	0,017
Pollen emission [g/m3]	1,212
Average fuel consumption [kg/h]	1,7
Glass dimensions [mm]	398 x 338
Flue diameter [mm]	129
Weight [kg]	75
Efficiency factor	105,6



GATTO ME



PRZEKRÓJ B-B
SKALA 1 : 7



PRZEKRÓJ A-A
SKALA 1 : 7

GATTO ME
Masa: 75kg

GATTO ME