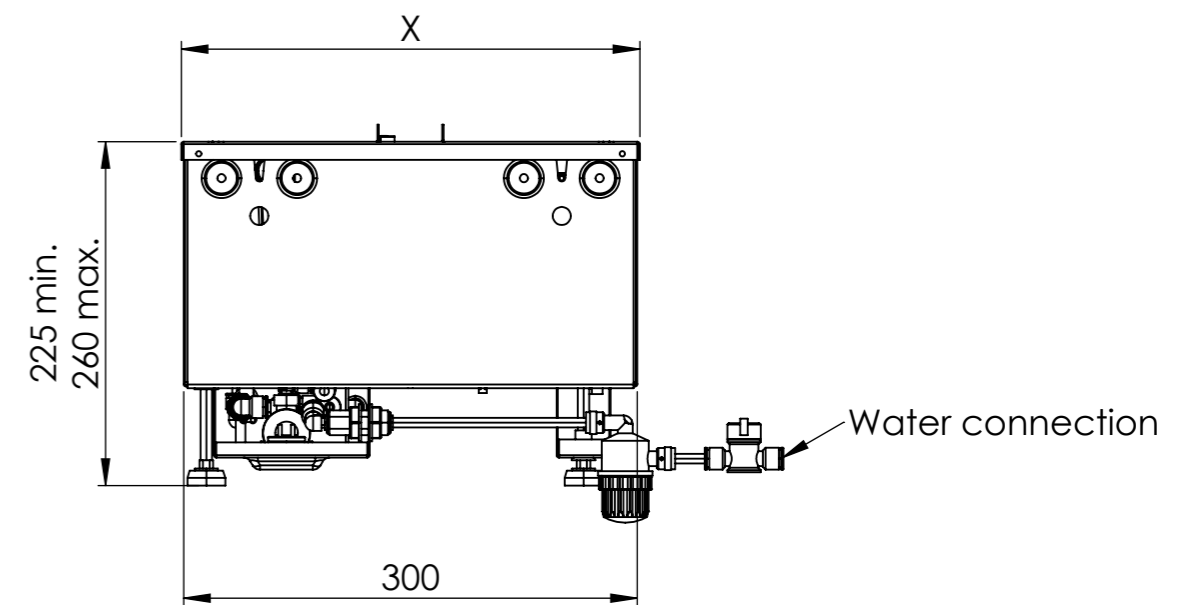
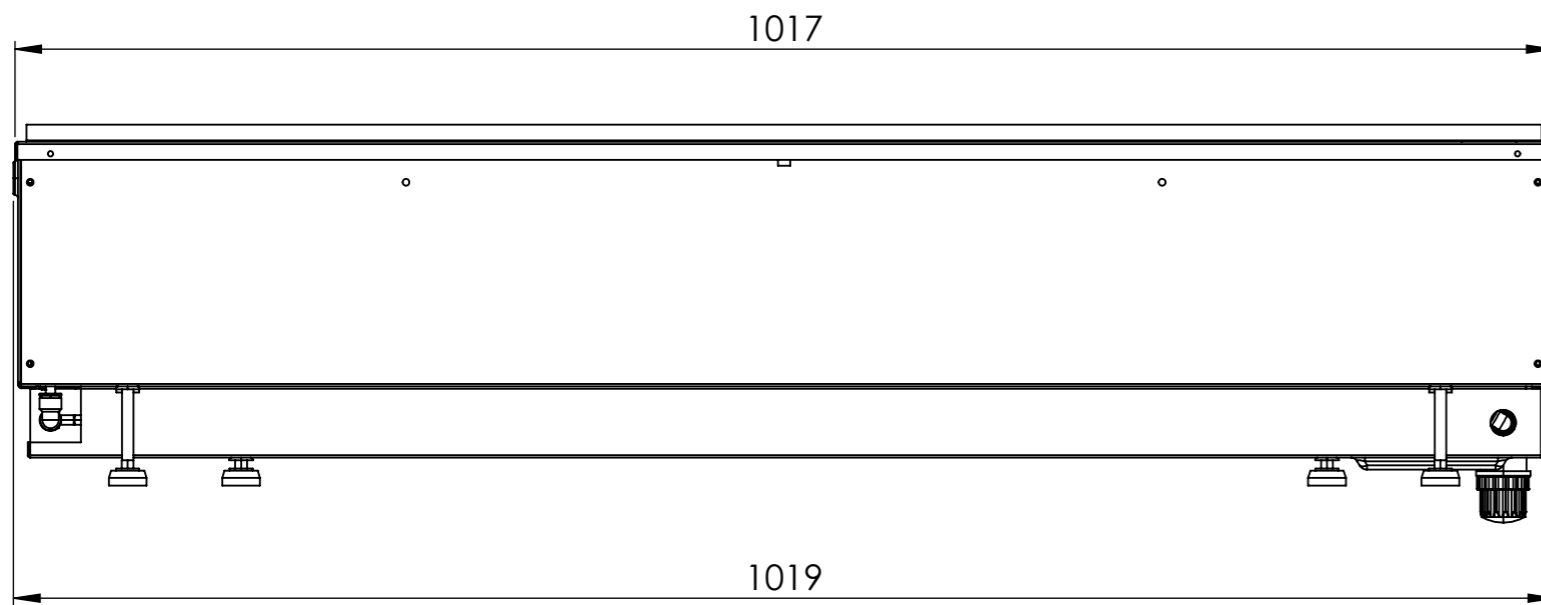
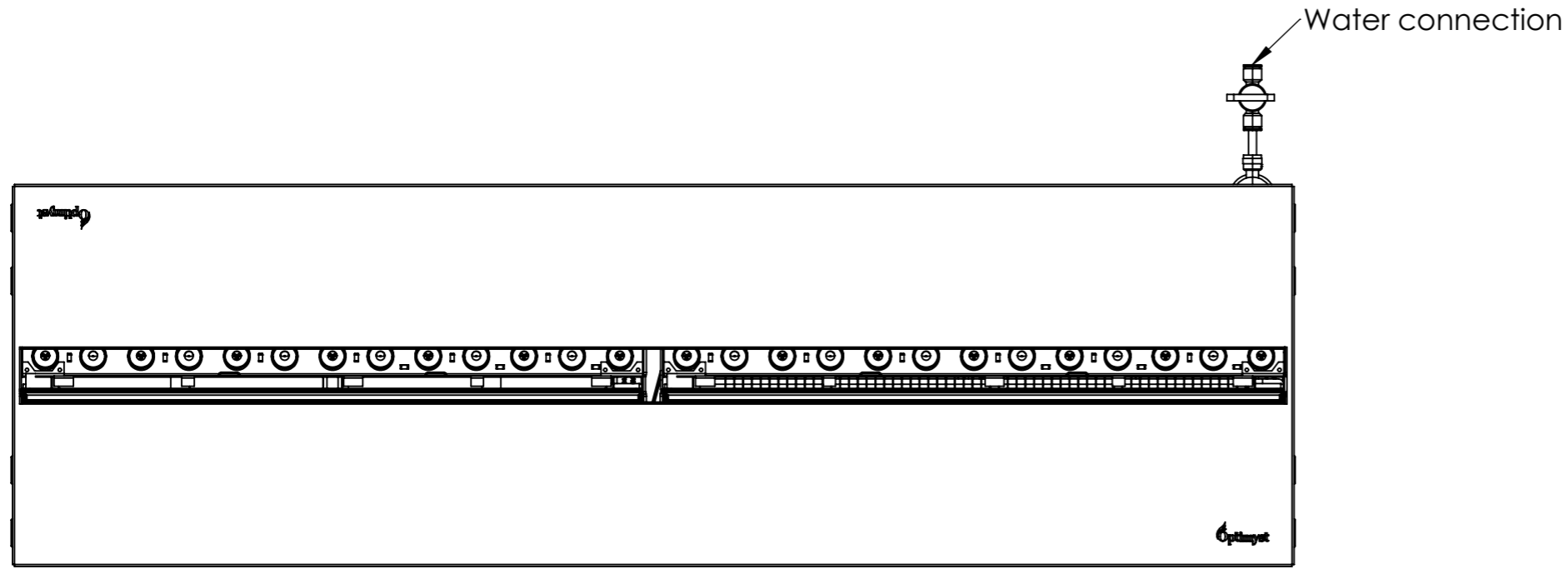

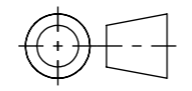


Fuel bed	Dimension X
Metal	304mm
Log	354mm



ISSUE	MODIFICATIONS	OCN	APPD	DATE	NOTES	 GlenDimplex Flame Europe <small>Innovation & Development Heerenveen, Netherlands T: +31 513 656 500 E: info@glendimplex.eu</small>	<small>THIS DRAWING IS SUPPLIED IN CONFIDENCE AND THE COPYRIGHT THEREOF IS THE PROPERTY OF GLEN DIMPLEX. IT MUST NOT BE USED BY A THIRD PARTY WITHOUT PRIOR PERMISSION. © 2023</small>																					
					Item number EU: 400001275		PROJECT																					
						<table border="1"> <tr> <td>DRAWN BY</td> <td>DATE</td> <td>SCALE</td> <td>HOLE TOL</td> <td>GEN TOL</td> </tr> <tr> <td></td> <td></td> <td>1:5</td> <td>+/- 0.05</td> <td>0 +/- 0.4</td> </tr> <tr> <td>APP'D BY</td> <td>DATE</td> <td>DIM IN mm</td> <td>ANGLES</td> <td>0.0 +/- 0.2</td> </tr> <tr> <td></td> <td></td> <td></td> <td>+/- 0.5°</td> <td>0.00 +/- 0.1</td> </tr> </table>	DRAWN BY	DATE	SCALE	HOLE TOL	GEN TOL			1:5	+/- 0.05	0 +/- 0.4	APP'D BY	DATE	DIM IN mm	ANGLES	0.0 +/- 0.2				+/- 0.5°	0.00 +/- 0.1	TITLE Dimensional drawing	
DRAWN BY	DATE	SCALE	HOLE TOL	GEN TOL																								
		1:5	+/- 0.05	0 +/- 0.4																								
APP'D BY	DATE	DIM IN mm	ANGLES	0.0 +/- 0.2																								
			+/- 0.5°	0.00 +/- 0.1																								
						GDB NO																						
					DO NOT SCALE	 THIRD ANGLE PROJECTION	DRG NO																					
					IF IN DOUBT ASK		A3 Cassette 1000 multi (Projects)																					
						R.o.H.S. All material must comply with the requirements of European Directive 2015/863/EU on the restriction of the use of certain hazardous substances.		Sheet 1 of 1																				