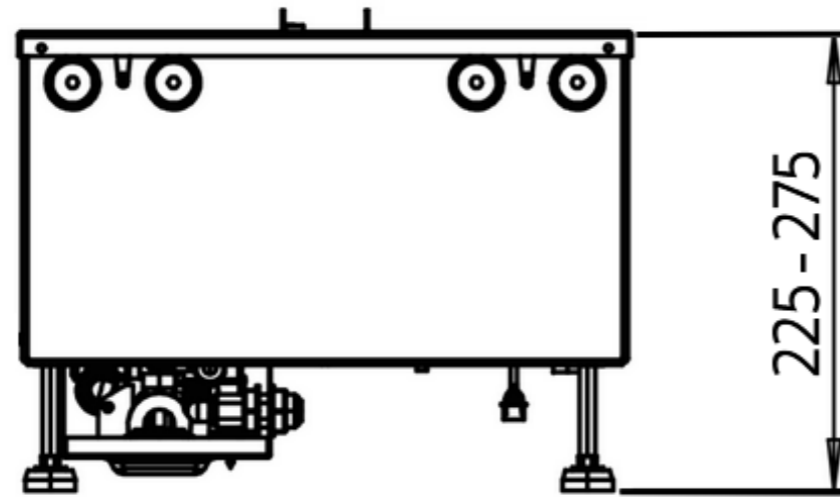
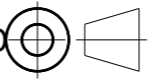


SCALE 0.200



ISSUE	MODIFICATIONS	OCN	APPD	DATE	NOTES						
<p>DO NOT SCALE IF IN DOUBT ASK</p>					<p>THIRD ANGLE PROJECTION</p> 	<p>GLEN DIMPLEX RESEARCH & DEVELOPMENT HEATING AND VENTILATION IRELAND Barn road, Dunleer, Co.Louth, Ireland. Tel: +353(0)41 6872000</p>	<p>THIS DRAWING IS SUPPLIED IN CONFIDENCE AND THE COPYRIGHT THEREOF IS THE PROPERTY OF GLEN DIMPLEX: IT MUST NOT BE USED BY A THIRD PARTY WITHOUT PRIOR PERMISSION. ©2019</p>				
						<table border="1"> <tr> <td>DRAWN BY E THYNNE</td> <td>DATE</td> <td>SCALE</td> <td>HOLE TOL +/-0.05</td> <td>GEN TOL 0 +/-0,4</td> </tr> <tr> <td>APP'D BY</td> <td>DATE</td> <td>DIM IN mm</td> <td>ANGLES +/-0.5°</td> <td>0,0 +/-0,2 0,00+/-0,1</td> </tr> </table>	DRAWN BY E THYNNE	DATE	SCALE	HOLE TOL +/-0.05	GEN TOL 0 +/-0,4
DRAWN BY E THYNNE	DATE	SCALE	HOLE TOL +/-0.05	GEN TOL 0 +/-0,4							
APP'D BY	DATE	DIM IN mm	ANGLES +/-0.5°	0,0 +/-0,2 0,00+/-0,1							
<p>MATERIAL ----- FINISH -----</p>					<p>R.o.H.S. compliant All materials must comply with the requirements of European Directive 2011/65/EU on the restriction of the use of certain hazardous substances</p>	<p>TITLE EXPLODED VIEW</p>	<p>NO. OFF:</p>				
						<p>DRG NO 7/20524/0</p>	<p>A3 Sht 2 of 2</p>				