

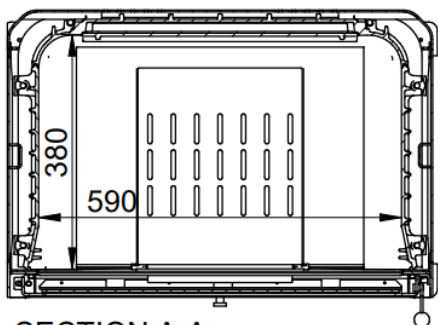
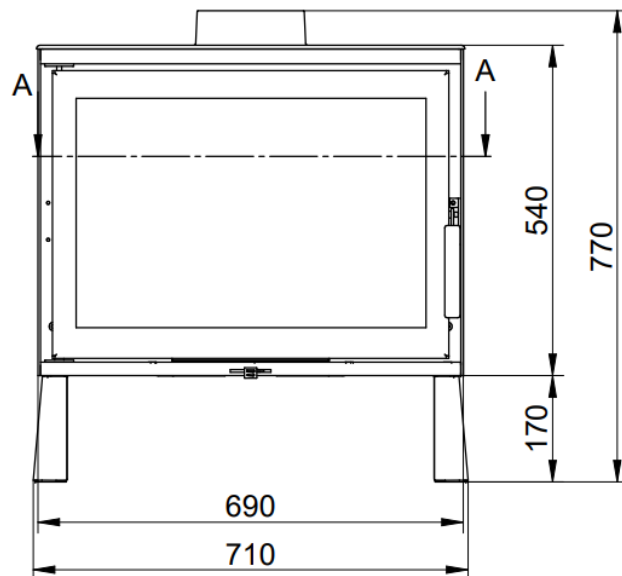
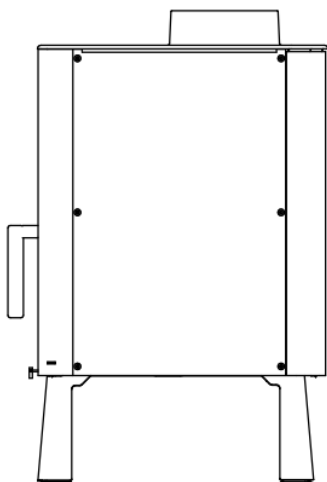
STO 14 free 70	Technical data sheet
	Version 08/2024

HEATING & TECHNICAL PARAMETERS:		
energy efficiency class	A-B-C-D-E-F-G	A+
direct heat output (nominal power)	[kW]	8,5
heating power range	[kW]	6 - 15
energy efficiency index	[EEI]	107,0
energy efficiency at nominal heat output	[%]	80
seasonal space heating energy efficiency	[%]	70
CO emission at 13% O ₂	[%]	0,08
	[mg/Nm ³]	993
dust emission at 13% O ₂	[mg/Nm ³]	11
OGC at 13% O ₂	[mg/Nm ³]	59
NO _x emission at 13% O ₂	[mg/Nm ³]	97
flue gas mass flow	[g/s]	7,95
average smoke temperature at smoke outlet	[°C]	258
minimum chimney draft	[Pa]	12
DIMENSIONS & WIGHT		
total dimensions, height x width x depth	[mm]	770x710x470
fascade dimensions, width x height	[mm]	691 x 531
front glass dimensions, width x height	[mm]	580 x 408
maximum log lenght	[cm]	50
smoke flue diameter	[mm]	150 / 160 / 180
air inlet diameter	[mm]	100*
weight	[kg]	180
CERTIFICATES AND NORMS		
EN 13240	V / -	86 / 19 - LG
declaration of the Ecodesign requirements	V / -	V
BImSchV level 2	V / -	V
15a BVG	V / -	
ADDITIONAL INFORMATION		
for continous burning	V / -	V
preffered type of fuel		wood logs with moisture content ≤ 20 %
ashpan	V / -	V
appliance suitable for low energy and passive	V / -	V
door opening		side
possibility of burning with open door	V / -	-
warranty	years	5

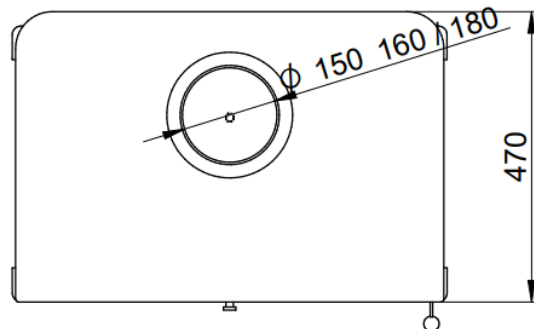
DORAKO

KOMINKI & SPA

Dorako Piotr Koper
ul. Marcina z Wrocimowic 3M, PL 03-145 Warszawa
TEL. +48 507 005 720
E-MAIL dorako@dorako.pl; www.dorako.pl



SECTION A-A



All dimensions are approximate
*direct air inlet - optional equipment